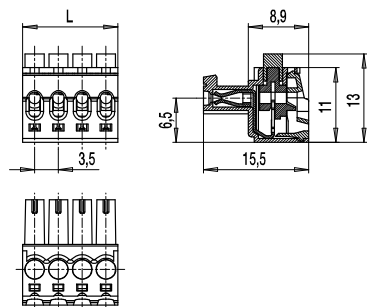
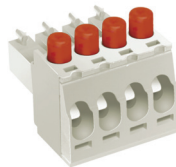


Plug connector

110-A-IDC

Insulation Displacement Contacts



Due to the pitch of 3,5 mm, plug connectors of series 110 are particularly suitable for confined spaces. Socket connectors 110-A-IDC (Insulation Displacement Connector) form an indirect connection with pin strips 110-M, -P and -S. The insulation displacement contacts connect with non-stripped IDC-suitable wires. The wire is pushed into the guide entry all the way to the stop. By pushing the button, the terminal clamp closes and the cutting contact creates the connection. Special pliers are available for this task. The clamping point can be opened with a small screwdriver, if necessary.

Part Numbers

No. of poles	110-A-IDC	Length	Pcs
2	10.840.202	7,00	200
3	10.840.203	10,50	200
4	10.840.204	14,00	100
5	10.840.205	17,50	100
6	10.840.206	21,00	100
8	10.840.208	28,00	50
10	10.840.210	35,00	50
12	10.840.212	42,00	50

further number of poles on request

General Information

Pitch	3,5 mm
No. of poles	2 - 12
Usable with	all pin strips of series 110
Areas of application	E.g. telecommunication technology
Additional Information	Flexible wire: <ul style="list-style-type: none"> MSR TSR 0.56 mm² according to VDE 0881 AWG 20/7 Style 1061 Insulation: Semi-Rigid-(SR)-PVC

Technical Data

Clamping Range	<i>solid / flexible / AWG</i> 0,5 mm ² Spezialleiter / special wire		
Wire Stripping Length	6,5 mm ± 0,5 mm		
Overvoltage Category	III	III	II
Pollution Severity Level	3	2	2
Rated Voltage	160 V	160 V	320 V
Rated Impulse Voltage	2,5 kV	2,5 kV	2,5 kV
Rated Insulation Voltage	130 V acc. to EN 60998-1		
Rated Current	5 A		
Other specifications	Wire insulation diameter 1,45 - 1,7 mm		

Material

Moulding	PA, light grey, V-0
Comparative Tracking Index	CTI ≥ 600
Insulating Group	I
Temperature Range	-40°C up to 100°C
Contact elements	Copper alloy, tin plated

Options / Accessories

- Consecutive numbering
- Special marking accord. drawing
- Self-adhesive marking strip BST-3,50
- Connecting flanges
- Special flat nose pliers