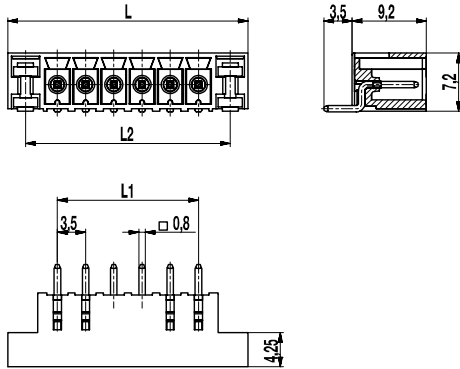


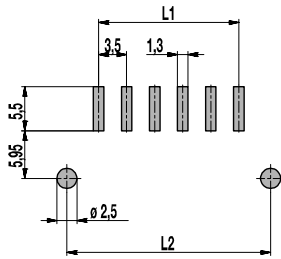
110-M-216-SMD

Pin strip for SMD

Plug-in direction parallel to PCB, with solder flanges



PCB Layout



L1 = (No. of poles - 1) x pitch
L2 = L - 4,4
Solder paste thickness: 0,2 mm

The 110-M-216-SMD is a pin strip for the reflow soldering process in a horizontal version with a pitch of 3,5 mm and available in 2 to 12 poles.

This product is characterized by the "Floating Anchors". They are movable in vertical direction and achieve 100% coplanarity. Side flanges improve the stability and increase the adhesion force on the PC board.

The pin strip is compatible with all standard connectors series 110 and 110-A-IDC (Insulation Displacement Contacts).

The housing of the pin strips meets the requirements of the elevated soldering temperatures in the lead-free soldering process.

Part Numbers

No. of poles	110-M-216-SMD	Length	PU
2	10.843.126	15,80	594
3	10.843.127	19,30	486
4	10.843.128	22,80	414
5	10.843.129	26,30	360
6	10.843.130	29,80	306
7	10.843.131	33,30	270
8	10.843.132	36,80	252
9	10.843.133	40,30	234
10	10.843.134	43,80	216
11	10.843.135	47,30	198
12	10.843.136	50,80	180

General Information

Pitch	3,5 mm
No. of poles	2 - 12
Usable with	all plug connectors of series 110



Technical Data

Overvoltage Category	III	III	II
Pollution Severity Level	3	2	2
Rated Voltage	160 V	160 V	320 V
Rated Impulse Voltage	2,5 kV	2,5 kV	2,5 kV
Rated Insulation Voltage	130 V acc. to EN 60998-1		
Rated Current	8 A		
Soldering process	Reflow solder		

Material

Moulding	PA HT, black, V-0
Comparative Tracking Index	CTI ≥ 600
Insulating Group	I
Temperature Range	40°C up to 120°C; reflow solder temperature peak max. 255°C acc. to DIN EN 61760-1
Solder pin	0,8 x 0,8 mm; tin plated brass
Solder cylinder	tin plated brass

Approvals

	Current [A]	Voltage [V]	Group	AWG	[Nm]
	8	300	B, D		
	B	300	B		

Options / Accessories

- Consecutive numbering
- Special marking according to drawing
- Self-adhesive marking strip BST-3,50 [1]
- Coding elements 120-K-HT-WS

Part Numbers: Tape-on-Reel

No. of poles	110-M-216-SMD	Tape Width	Tape Height	PU
2	10.843.126.A00	56 mm	8 mm	475
3	10.843.127.A00	56 mm	8 mm	475
4	10.843.128.A00	56 mm	8 mm	475
5	10.843.129.A00	56 mm	8 mm	475
6	10.843.130.A00	56 mm	8 mm	475
7	10.843.131.A00	56 mm	8 mm	475
8	10.843.132.A00	56 mm	8 mm	475

further number of poles on request

[1] To be fitted after reflow soldering process