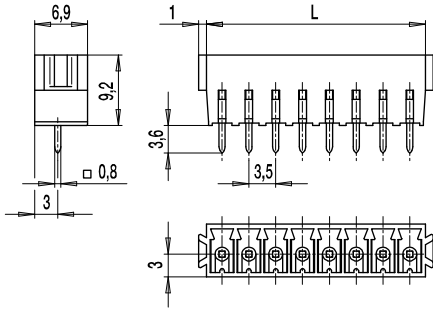
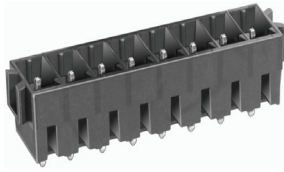


# Pin strip 110-M-221

Plug-in direction vertical to PCB, with false insertion prevention



Pin strips of series 110 offer remarkable connection data (1,5 mm<sup>2</sup> / 160 V-III-3 / 8 A) for their small dimensions. In combination with the corresponding plug connectors they guarantee reliable wire connection for all wire types. The compact housings with a pitch of 3,5 mm are available with 2 to 24 poles. The plug direction of the 110-M-221 is vertical to the PC board. The pin strips feature slots to accommodate the coding elements 120-K. Laterally attached dovetail expansions reliably prevent false insertion.

## Part Numbers

No. of poles	110-M-221	Length	Pcs
2	20.841.002	7,00	200
3	20.841.003	10,50	200
4	20.841.004	14,00	100
5	20.841.005	17,50	100
6	20.841.006	21,00	100
7	20.841.007	24,50	50
8	20.841.008	28,00	50
9	20.841.009	31,50	50
10	20.841.010	35,00	50
11	20.841.011	38,50	50
12	20.841.012	42,00	50
13	20.841.013	45,50	50
14	20.841.014	49,00	50
15	20.841.015	52,50	50
16	20.841.016	56,00	50
17	20.841.017	59,50	50
18	20.841.018	63,00	50
19	20.841.019	66,50	50
20	20.841.020	70,00	50
21	20.841.021	73,50	50
22	20.841.022	77,00	50
23	20.841.023	80,50	50
24	20.841.024	84,00	50

## General Information

Pitch	3,5 mm
No. of poles	2 - 24
Usable with	all plug connectors of series 110
Additional Information	For versions with connecting flanges see 110-M-225

## Technical Data

Overvoltage Category	III	III	II
Pollution Severity Level	3	2	2
Rated Voltage	160 V	160 V	320 V
Rated Impulse Voltage	2,5 kV	2,5 kV	2,5 kV
Rated Insulation Voltage	130 V acc. to EN 60998-1		
Rated Current	8 A		
Hole in PCB	ø 1,3 mm		

## Material

Moulding	PA, grey, V-0
Comparative Tracking Index	CTI ≥ 600
Insulating Group	I
Temperature Range	-40°C up to 100°C
Solder pin	0,8 x 0,8 mm; tin plated brass

## Approvals

	Current	Voltage	Group	AWG	Nm
	8	300	B, D		
	8	300	B		

## Options / Accessories

- Consecutive numbering
- Special marking accord. drawing
- Self-adhesive marking strip BST-3,50
- Pitch of 7 mm for larger clearance and creepage distances
- Coding elements 120-K
- With smooth side wall