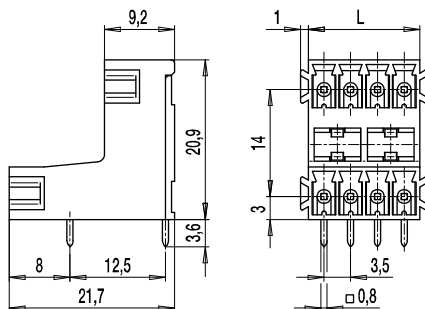


PCB Plug Connector System Series 110

110-S-211

Double row header



The PCB plug connectors of the series of 110 offer remarkable connection data (1.5 mm² / 160 V-III-3/8 A) for their small dimensions.

In combination with the appropriate plug connector, they guarantee reliable wire connection for all kinds of wires.

The compact housings of these tier versions in 3.5 mm centre - to - centre spacing are available with 4 to 48 poles (with effectively double the pole density).

The plug direction of the 110-S-211 is parallel to the printed circuit board.

The pin strips possess slots for the admission of the coding elements 120-K.

Laterally attached dovetail expansions prevent reliably incorrect plugging.

Part Numbers

No. of poles	110-S-211	Length	Pcs
4	10.841.402	7,00	100
6	10.841.403	10,50	100
8	10.841.404	14,00	50
10	10.841.405	17,50	50
12	10.841.406	21,00	50
14	10.841.407	24,50	50
16	10.841.408	28,00	25
18	10.841.409	31,50	25
20	10.841.410	35,00	25
22	10.841.411	38,50	25
24	10.841.412	42,00	25
26	10.841.413	45,50	25
28	10.841.414	49,00	25
30	10.841.415	52,50	25
32	10.841.416	56,00	25
34	10.841.417	59,50	25
36	10.841.418	63,00	25
38	10.841.419	66,50	25
40	10.841.420	70,00	25
42	10.841.421	73,50	25
44	10.841.422	77,00	10
46	10.841.423	80,50	10
48	10.841.424	84,00	10

General Information

Centre to centre spacing	3,5 mm
No. of poles	4 - 48
Usable with	all plugs of series 110
Accessories	Self-adhesive marking strip BST-3,5; coding element 120-K
Additional Information	Versions with connecting flanges see also 110-S-215

Technical Data

Overvoltage Category	III	III	II
Pollution Severity Level	3	2	2
Rated Voltage	160 V	160 V	320 V
Rated Impulse Voltage	2,5 kV	2,5 kV	2,5 kV
Rated Insulation Voltage	130 V acc. to EN 60998-1		
Rated Current	8 A		
Hole in PCB	ø 1,3 mm		

Material

Moulding	PA, grey, V-0
Comparative Tracking Index	CTI ≥ 600
Insulating Group	I
Temperature Range	-40°C up to 100°C
Solder pin	0,8 x 0,8 mm; tin plated brass

Approvals

	Current	Voltage	Group	AWG	Nm
	8	300	B,D		
	8	300	B		

Options / Accessories

- Consecutive numbering
- Special marking accord. drawing
- Self-adhesive marking strip
- Center-to-center spacing 7 mm for larger clearance and creepage distances
- Coding elements 120-K