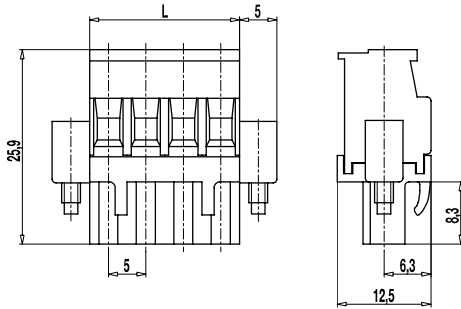


Plug connector

120-D-125

Screw connection, with connecting flanges



The plug connector 120-D-125, with connecting flanges and a pitch of 5 mm, is available in 2- to 22-pole design and can be mounted side-by-side.

Right-hand and left-hand connecting flanges are equipped with M2.5 screws which can be screwed onto plug connectors and the corresponding series 120 pin strips.

On version 120-D-115, the wire entrance is located opposite to the latching hook side; on version 120-D-125, it is located on the same side. Plugging the plug connector on pin strips of series 120 therefore results in inverted plug-in configurations.

For each pole the plug connector has one trapezoidal coding slot in which the coding elements 120-K can be inserted. The wire entrance is vertical to the plug direction.

The wire connection screws are captive.

General Information

Pitch	5 mm
No. of poles	2 - 22
Usable with	all pin strips of series 120

Technical Data

Clamping Range	<i>solid / flexible / AWG</i>		
	0,2 - 4 mm ² / 0,2 - 2,5 mm ² / 26 - 12 AWG		
Rated Cross Section	2,5 mm ²		
Wire Stripping Length	7 mm ± 0,5 mm		
Overvoltage Category	III	III	II
Pollution Severity Level	3	2	2
Rated Voltage	250 V	320 V	630 V
Rated Impulse Voltage	4 kV	4 kV	4 kV
Rated Insulation Voltage	250 V acc. to EN 60998-1		
Rated Current	12 A		
Torque	0,5 Nm		

Material

Moulding	PA, grey, V-0
Comparative Tracking Index	CTI ≥ 600
Insulating Group	I
Temperature Range	-40°C up to 100°C
Terminal body	Nickel plated brass
Pressure clamp	Tin plated tin bronze
Screw	M3; zinc plated steel, blue passivated
Spring	Tin plated tin bronze

Part Numbers

No. of poles	120-D-125	Length	PU
2	25.808.402	10,00	100
3	25.808.403	15,00	100
4	25.808.404	20,00	100
5	25.808.405	25,00	100
6	25.808.406	30,00	50
7	25.808.407	35,00	50
8	25.808.408	40,00	50
9	25.808.409	45,00	50
10	25.808.410	50,00	50
11	25.808.411	55,00	50
12	25.808.412	60,00	50
13	25.808.413	65,00	50
14	25.808.414	70,00	50
15	25.808.415	75,00	50
16	25.808.416	80,00	50
17	25.808.417	85,00	50
18	25.808.418	90,00	50
19	25.808.419	95,00	50
20	25.808.420	100,00	50
21	25.808.421	105,00	50
22	25.808.422	110,00	50

Approvals

	Current	Voltage	Group	AWG	Nm
	15	300	B	26 - 12	0,51
	10	300	D	26 - 12	0,51
	15	300	B	26 - 12	0,51
	10	300	D, E	26 - 12	0,51

Options / Accessories

- Consecutive numbering
- Special marking according to drawing
- Self-adhesive marking strip BST-5,00
- Pitch of 10 mm for larger clearance and creepage distances
- Coding elements 120-K
- Connectors equipped with coding elements on request
- Strain relief