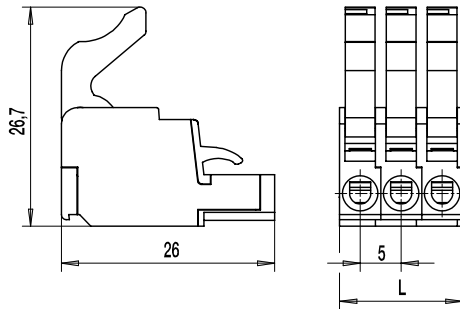


# 120-F-211

Plug connector  
Spring clamp connection, with pusher



The plug connector 120-F-211 series with screwless terminals and a pitch of 5 mm complements our "CONECTA"-Series.

The rated cross-section of 2,5 mm<sup>2</sup> is geared towards screw-connector variants. This plug connector can be used with single-core copper conductors and fine-stranded wires (2,5 mm<sup>2</sup>), but also with pin cable sockets or crimped ferrules. For crimped ferrules the cross-section must be reduced accordingly. All other rated data is identical with the screw-connector variants.

Test ports for  $\varnothing$  2 mm or  $\varnothing$  2,3 mm test plugs or for spring test pins are accessible from the top of the clamp. The plug connector consists of individual poles and can be manufactured to any required pole configuration at our factory.

For each pole the plug connector has one trapezoidal coding groove in which the coding elements 120-K can be inserted.

The plug connector is operated by the built-in pusher.

## Part Numbers

No. of poles	120-F-211	Length	PU
2	12.808.905	10,00	200
3	13.808.905	15,00	200
4	14.808.905	20,00	100
5	15.808.905	25,00	100
6	16.808.905	30,00	100
7	17.808.905	35,00	50
8	18.808.905	40,00	50
9	19.808.905	45,00	50
10	20.808.905	50,00	50
11	21.808.905	55,00	50
12	22.808.905	60,00	50

## General Information

Pitch	5 mm
No. of poles	2 - 12
Usable with	all pin strips of series 120

## Technical Data

Clamping Range	<i>solid / flexible / AWG</i> 0,2 - 4 mm <sup>2</sup> / 0,2 - 2,5 mm <sup>2</sup> / 24 - 12 AWG
Rated Cross Section	2,5 mm <sup>2</sup>
Wire Stripping Length	8,5 mm $\pm$ 0,5 mm
Overvoltage Category	II
Pollution Severity Level	2
Rated Voltage	320 V
Rated Impulse Voltage	2,5 kV
Rated Insulation Voltage	130 V acc. to EN 60998-1
Rated Current	12 A

## Material

Moulding	PA, grey, V-0
Comparative Tracking Index	CTI $\geq$ 600
Insulating Group	I
Temperature Range	-40°C up to 100°C
Pressure clamp	Copper alloy, tin plated
Tension spring	Stainless steel
Spring	Copper alloy, tin plated

## Options / Accessories

- Consecutive numbering
- Special marking according to drawing
- Self-adhesive marking strip BST-5,00
- Coding elements 120-K
- Connectors equipped with coding elements on request
- Strain relief