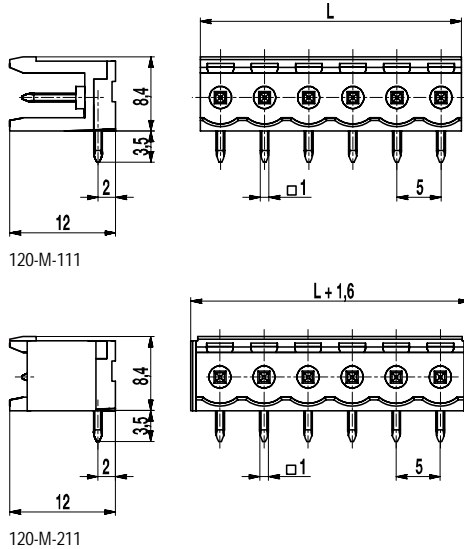


Pin strip

120-M-111/-211

Plug-in direction parallel to PCB



120-M-111

120-M-211

The pin strips 120-M-111 und 120-M-211 with a pitch of 5 mm are available in 2- to 12-pole design.

The ..-M-111 version is a pin strip without side walls and can be mounted side-by-side without pole loss. The ..-M-211 version is a pin strip with closed side walls. For both designs, the plug direction for mating plug connectors is parallel to the PCB.

For each pole, the pin strips have one trapezoidal coding slot in which the coding elements 120-K can be inserted.

Part Numbers

No. of poles	120-M-111	120-M-211	Length	PU
2	10.806.002	10.806.026	10,00	200
3	10.806.003	10.806.027	15,00	200
4	10.806.004	10.806.028	20,00	100
5	10.806.005	10.806.029	25,00	100
6	10.806.006	10.806.030	30,00	100
7	10.806.007	10.806.031	35,00	50
8	10.806.008	10.806.032	40,00	50
9	10.806.009	10.806.033	45,00	50
10	10.806.010	10.806.034	50,00	50
11	10.806.011	10.806.035	55,00	50
12	10.806.012	10.806.036	60,00	50

further number of poles on request

General Information

Pitch	5 mm
No. of poles	2 - 12
Usable with	all plug connectors of series 120
Additional Information	Ordering information: ..-M-111: without side walls, not pottable ..-M-211: with side walls, pottable

Technical Data

Overvoltage Category	III	III	II
Pollution Severity Level	3	2	2
Rated Voltage	250 V	320 V	630 V
Rated Impulse Voltage	4 kV	4 kV	4 kV
Rated Insulation Voltage	250 V acc. to EN 60998-1		
Rated Current	12 A		
Hole in PCB	ø 1,4 mm		

Material

Moulding	PA, grey, V-0
Comparative Tracking Index	CTI ≥ 600
Insulating Group	I
Temperature Range	-40°C up to 100°C
Solder pin	1,0 x 1,0 mm; tin plated brass

Approvals

	Current [A]	Voltage [V]	Group	AWG	[Nm]
	15	300	B		
	10	300	D		
	15	300	B		
	10	300	D, E		

Options / Accessories

- Consecutive numbering
- Special marking according to drawing
- Self-adhesive marking strip BST-5,00
- Pitch of 10 mm for larger clearance and creepage distances
- Other solder pin lengths on request
- Coding elements 120-K
- Connectors equipped with coding elements on request
- Special version with fastening flanges 120-M-217