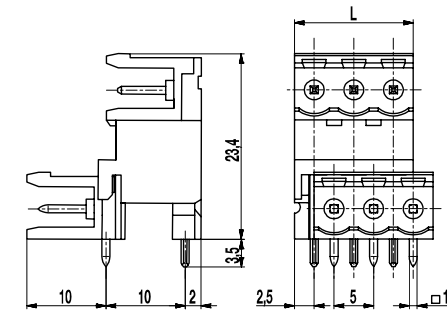


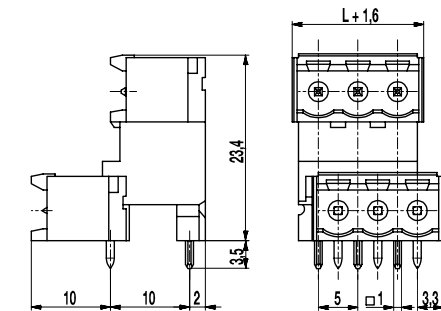
## Pin strip

### 120-M-151/-251

Plug-in direction parallel to PCB, two-tier version



120-M-151



120-M-251

The pin strips 120-M-151 and 120-M-251, as two-tier version with a pitch of 5 mm are available in 4- to 24-pole design.

The ..-M-151 version is a pin strip without side walls. It can be mounted side-by-side without pole loss. The ..-M-251 version is a pin strip with closed side walls. For both versions, the plug direction for mating plug connectors is parallel to the PCB.

For each pole, the pin strips have one trapezoidal coding slot in which the coding elements 120-K can be inserted.

#### Part Numbers

No. of poles	120-M-151	120-M-251	Length	PU
4	10.806.052	10.806.076	10,00	100
6	10.806.053	10.806.077	15,00	100
8	10.806.054	10.806.078	20,00	50
10	10.806.055	10.806.079	25,00	50
12	10.806.056	10.806.080	30,00	50
14	10.806.057	10.806.081	35,00	50
16	10.806.058	10.806.082	40,00	25
18	10.806.059	10.806.083	45,00	25
20	10.806.060	10.806.084	50,00	25
22	10.806.061	10.806.085	55,00	25
24	10.806.062	10.806.086	60,00	25

further number of poles on request

#### General Information

Pitch	5 mm
No. of poles	4 - 24
Usable with	all plug connectors of series 120
Additional Information	Ordering information: ..-M-151: without side walls ..-M-251: with side walls




#### Technical Data

Overvoltage Category	III	III	II
Pollution Severity Level	3	2	2
Rated Voltage	250 V	320 V	630 V
Rated Impulse Voltage	4 kV	4 kV	4 kV
Rated Insulation Voltage	250 V acc. to EN 60998-1		
Rated Current	12 A		
Hole in PCB	ø 1,4 mm		

#### Material

Moulding	PA, grey, V-0
Comparative Tracking Index	CTI ≥ 600
Insulating Group	I
Temperature Range	-40°C up to 100°C
Solder pin	1,0 x 1,0 mm; tin plated brass

#### Approvals

	Current [A]	Voltage [V]	Group	AWG	[Nm]
	15	300	B		
	10	300	D		
	15	300	B		
	10	300	D, E		
					

#### Options / Accessories

- Consecutive numbering
- Special marking according to drawing
- Self-adhesive marking strip BST-5,00
- Pitch of 10 mm for larger clearance and creepage distances
- Special version with connecting flanges 120-M-255
- Coding elements 120-K
- Connectors equipped with coding elements on request
- Two-tier version with front pin strip offset to the left
- Special arrangements of front- and rear row of the floor version