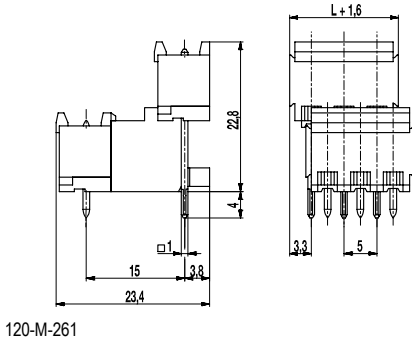
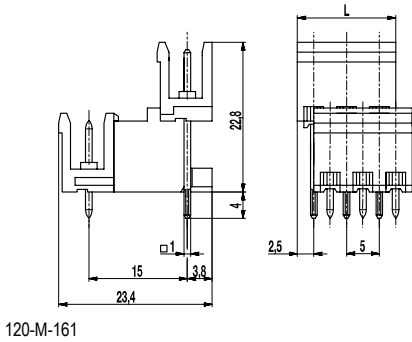


Pin strip

120-M-161/-261

Plug-in direction vertical to PCB, two-tier version



The pin strips 120-M-161 und 120-M-261, as two-tier versions with a pitch of 5 mm are available in 4- to 24-pole design.

The ..-M-161 version is a pin strip without side walls. It can be mounted side-by-side without pole loss. The ..-M-261 version is a pin strip with closed side walls. For both versions, the plug direction for mating plug connectors is vertical to the PCB.

For each pole, the pin strips have one trapezoidal coding slot in which the coding elements 120-K can be inserted.

Part Numbers

No. of poles	120-M-161	120-M-261	Length	PU
4	30.806.052	30.806.076	10,00	100
6	30.806.053	30.806.077	15,00	100
8	30.806.054	30.806.078	20,00	50
10	30.806.055	30.806.079	25,00	50
12	30.806.056	30.806.080	30,00	50
14	30.806.057	30.806.081	35,00	50
16	30.806.058	30.806.082	40,00	25
18	30.806.059	30.806.083	45,00	25
20	30.806.060	30.806.084	50,00	25
22	30.806.061	30.806.085	55,00	25
24	30.806.062	30.806.086	60,00	25

further number of poles on request

General Information

Pitch	5 mm
No. of poles	4 - 24
Usable with	all plug connectors of series 120
Additional Information	Ordering information: ..-M-161: without side walls, not pottable ..-M-261: with side walls, pottable

Technical Data

Overvoltage Category	III	III	II
Pollution Severity Level	3	2	2
Rated Voltage	250 V	320 V	630 V
Rated Impulse Voltage	4 kV	4 kV	4 kV
Rated Insulation Voltage	250 V acc. to EN 60998-1		
Rated Current	12 A		
Hole in PCB	ø 1,4 mm		

Material

Moulding	PA, grey, V-0
Comparative Tracking Index	CTI ≥ 600
Insulating Group	I
Temperature Range	-40°C up to 100°C
Solder pin	1,0 x 1,0 mm; tin plated brass

Approvals

	Current	Voltage	Group	AWG	Nm
	15	300	B		
	10	300	D		
	15	300	B		
	10	300	D, E		

Options / Accessories

- Consecutive numbering
- Special marking according to drawing
- Self-adhesive marking strip BST-5,00
- Pitch of 10 mm for larger clearance and creepage distances
- Coding elements 120-K
- Connectors equipped with coding elements on request
- Two-tier version with front pin strip offset to the left
- Special arrangements of front- and rear row of the floor version.