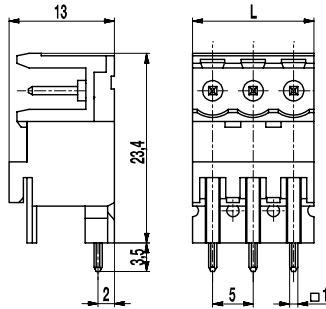


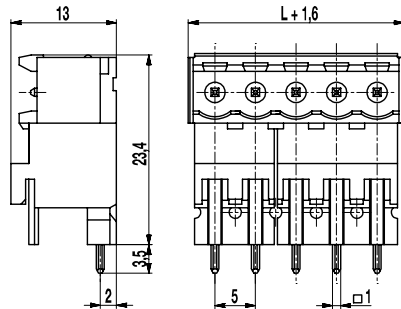
Pin strip

120-M-181/-281

Plug-in direction parallel to PCB, tall version



120-M-181



120-M-281

The pin strips 120-M-181 und 120-M-281, tall version with a pitch of 5 mm, are available in 2- to 12-pole design.

The ..-M-181 version is a pin strip without side walls. It can be mounted side-by-side without pole loss. The ..-M-281 version is a pin strip with closed side walls. For both versions, the plug direction for mating plug connectors is parallel to the PCB.

For each pole, the pin strips have one trapezoidal coding slot in which the coding elements 120-K can be inserted.

Part Numbers

No. of poles	120-M-181	120-M-281	Length	PU
2	25.806.052	25.806.076	10,00	200
3	25.806.053	25.806.077	15,00	100
4	25.806.054	25.806.078	20,00	100
5	25.806.055	25.806.079	25,00	100
6	25.806.056	25.806.080	30,00	100
7	25.806.057	25.806.081	35,00	50
8	25.806.058	25.806.082	40,00	50
9	25.806.059	25.806.083	45,00	50
10	25.806.060	25.806.084	50,00	50
11	25.806.061	25.806.085	55,00	50
12	25.806.062	25.806.086	60,00	50

further number of poles on request

General Information

Pitch	5 mm
No. of poles	2 - 12
Usable with	all plug connectors of series 120
Additional Information	Ordering information: ..-M-181: without side walls, not pottable ..-M-281: with side walls, pottable




Technical Data

Overvoltage Category	III	III	II
Pollution Severity Level	3	2	2
Rated Voltage	250 V	250 V	630 V
Rated Impulse Voltage	4 kV	4 kV	4 kV
Rated Insulation Voltage	250 V acc. to EN 60998-1		
Rated Current	12 A		
Hole in PCB	ø 1,4 mm		

Material

Moulding	PA, grey, V-0
Comparative Tracking Index	CTI ≥ 600
Insulating Group	I
Temperature Range	-40°C up to 100°C
Solder pin	1,0 x 1,0 mm; tin plated brass

Approvals

	Current [A]	Voltage [V]	Group	AWG	[Nm]
	15	300	B		
	10	300	D		
	15	300	B		
	10	300	D, E		
					

Options / Accessories

- Consecutive numbering
- Special marking according to drawing
- Self-adhesive marking strip BST-5,00
- Pitch of 10 mm for larger clearance and creepage distances
- Coding elements 120-K
- Connectors equipped with coding elements on request
- Special version with connecting flanges 120-M-285