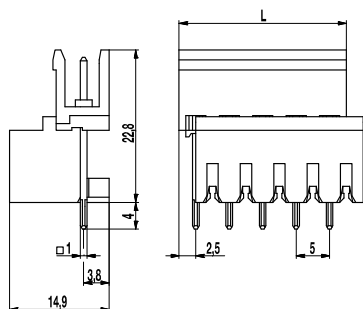


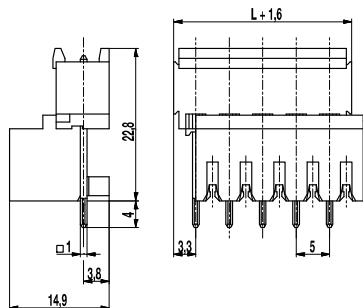
Pin strip

120-M-191/-291

Plug-in direction vertical to PCB, tall version



120-M-191



120-M-291

The pin strips 120-M-191 und 120-M-291, tall version with a pitch of 5 mm are available in 2- to 24-pole design.

The ..-M-191 version is a pin strip without side walls. It can be mounted side-by-side without pole loss. The ..-M-291 version is a pin strip with side wall. For both versions, the plug direction for mating pin strips is vertical to the PCB.

For each pole, the pin strip has one trapezoidal coding slot in which the coding elements 120-K can be inserted.

Part Numbers

No. of poles	120-M-191	120-M-291	Length	Pcs
2	25.806.002	25.806.026	10,00	200
3	25.806.003	25.806.027	15,00	100
4	25.806.004	25.806.028	20,00	100
5	25.806.005	25.806.029	25,00	100
6	25.806.006	25.806.030	30,00	100
7	25.806.007	25.806.031	35,00	50
8	25.806.008	25.806.032	40,00	50
9	25.806.009	25.806.033	45,00	50
10	25.806.010	25.806.034	50,00	50
11	25.806.011	25.806.035	55,00	50
12	25.806.012	25.806.036	60,00	50

further number of poles on request

General Information

Pitch	5 mm
No. of poles	2 - 24
Usable with	all plug connectors of series 120
Additional Information	Ordering information: ..-191: without side wall ..-291: with side wall

Technical Data

Overvoltage Category	III	III	II
Pollution Severity Level	3	2	2
Rated Voltage	250 V	320 V	630 V
Rated Impulse Voltage	4 kV	4 kV	4 kV
Rated Insulation Voltage	250 V acc. to EN 60998-1		
Rated Current	12 A		
Hole in PCB	ø 1,4 mm		

Material

Moulding	PA, grey, V-0
Comparative Tracking Index	CTI ≥ 600
Insulating Group	I
Temperature Range	-40°C up to 100°C
Solder pin	1,0 x 1,0 mm; tin plated brass

Approvals

	Current	Voltage	Group	AWG	Nm
	15	300	B		
	10	300	D		
	15	300	B		
	10	300	D, E		

Options / Accessories

- Consecutive numbering
- Special marking according to drawing
- Self-adhesive marking strip BST-5,00
- Pitch of 10 mm for larger clearance and creepage distances
- Coding elements 120-K
- Connectors equipped with coding elements on request