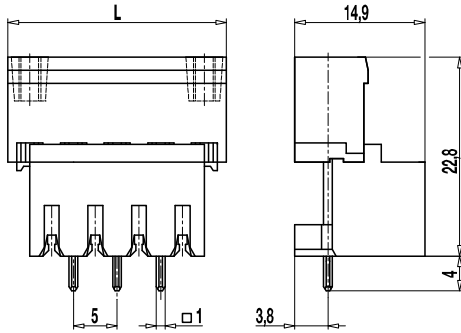
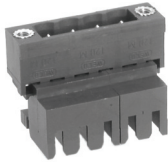


Pin strip 120-M-295

Plug-in direction vertical to PCB, tall version, with connecting flanges



The pin strip 120-M-295, tall version with connecting flanges and a pitch of 5 mm, is available in 2- to 12-pole design and can be mounted side-by-side.

Thread insert in the connecting flanges allow to screw the pin strip together with the plug connectors 120-A-115, 120-D-115 and 120-D-125. The plug direction for mating pin strips is vertical to the PCB.

For each pole, the pin strip has one trapezoidal coding slot in which the coding elements 120-K can be inserted.

Part Numbers

No. of poles	120-M-295	Length	PU
2	25.806.202	20,00	100
3	25.806.203	25,00	100
4	25.806.204	30,00	100
5	25.806.205	35,00	50
6	25.806.206	40,00	50
7	25.806.207	45,00	50
8	25.806.208	50,00	50
9	25.806.209	55,00	50
10	25.806.210	60,00	50
11	25.806.211	65,00	50
12	25.806.212	70,00	25

further number of poles on request

General Information

Pitch	5 mm
No. of poles	2 - 12
Usable with	all plug connectors of series 120

Technical Data

Overvoltage Category	III	III	II
Pollution Severity Level	3	2	2
Rated Voltage	250 V	320 V	630 V
Rated Impulse Voltage	4 kV	4 kV	4 kV
Rated Insulation Voltage	250 V acc. to EN 60998-1		
Rated Current	12 A		
Hole in PCB	ø 1,4 mm		

Material

Moulding	PA, grey, V-0
Comparative Tracking Index	CTI ≥ 600
Insulating Group	I
Temperature Range	-40°C up to 100°C
Solder pin	1,0 x 1,0 mm; tin plated brass

Approvals

	Current	Voltage	Group	AWG	Nm
	15	300	B		
	10	300	D		
	15	300	B		
	10	300	D, E		

Options / Accessories

- Consecutive numbering
- Special marking according to drawing
- Self-adhesive marking strip BST-5,00
- Pitch of 10 mm for larger clearance and creepage distances
- Coding elements 120-K
- Connectors equipped with coding elements on request