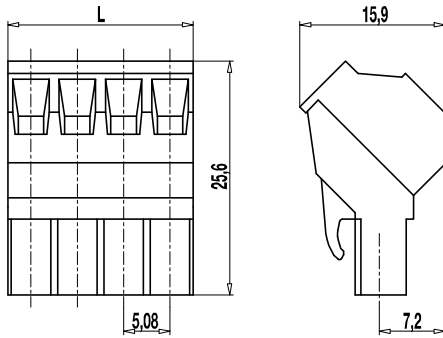


Plug connector

121-C-111

Screw connection diagonal 45° to PCB



The plug connector 121-C-111 in a inclined version, with a pitch of 5,08 mm, is available in 2- to 24-pole design and can be mounted side-by-side without pole loss.

For each pole the plug connector has one trapezoidal coding slot in which the coding elements 120-K can be inserted.

The wire entrance is diagonal, i.e. in a 45° angle to the PC board. Therefore, this Plug connector is ideal for the assembly in the center of PCBs. The design of this Plug connector allows space-saving arrangement of consecutive rows of terminals. The screws are captive.

Part Numbers

No. of poles	121-C-111	Length	Pcs
2	10.808.302	10,16	100
3	10.808.303	15,24	100
4	10.808.304	20,32	100
5	10.808.305	25,40	100
6	10.808.306	30,48	100
7	10.808.307	35,56	50
8	10.808.308	40,64	50
9	10.808.309	45,72	50
10	10.808.310	50,80	50
11	10.808.311	55,88	50
12	10.808.312	60,96	50
13	10.808.313	66,04	50
14	10.808.314	71,12	50
15	10.808.315	76,20	50
16	10.808.316	81,28	50
17	10.808.317	86,36	50
18	10.808.318	91,44	50
19	10.808.319	96,52	50
20	10.808.320	101,60	50
21	10.808.321	106,68	50
22	10.808.322	111,76	50
23	10.808.323	116,84	50
24	10.808.324	121,92	50

General Information

Pitch	5,08 mm
No. of poles	2 - 24
Usable with	all pin strips of series 121

Technical Data

Clamping Range	<i>solid / flexible / AWG</i>		
	0,2 - 4 mm ² / 0,2 - 2,5 mm ² / 26 - 12 AWG		
Rated Cross Section	2,5 mm ²		
Wire Stripping Length	7 mm ± 0,5 mm		
Overvoltage Category	III	III	II
Pollution Severity Level	3	2	2
Rated Voltage	250 V	320 V	630 V
Rated Impulse Voltage	4 kV	4 kV	4 kV
Rated Insulation Voltage	250 V acc. to EN 60998-1		
Rated Current	12 A		
Torque	0,5 Nm		

Material

Moulding	PA, grey, V-0
Comparative Tracking Index	CTI ≥ 600
Insulating Group	I
Temperature Range	-40°C up to 100°C
Terminal body	Nickel plated brass
Pressure clamp	Tin plated tin bronze
Screw	M3; zinc plated steel, blue passivated
Spring	Tin plated tin bronze

Approvals

	Current	Voltage	Group	AWG	Nm
	15	300	B	26 - 12	0,51
	10	300	D	26 - 12	0,51
	15	300	B	26 - 12	0,51
	10	300	D, E	26 - 12	0,51

Options / Accessories

- Consecutive numbering
- Special marking according to drawing
- Self-adhesive marking strip BST-5,08
- Pitch of 10,16 mm for larger clearance and creepage distances
- Coding elements 120-K
- Connectors equipped with coding elements on request
- Strain relief