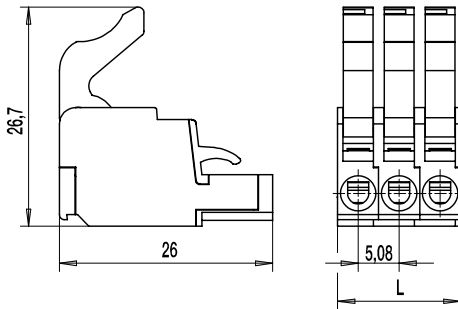


# 121-F-211

Plug connector  
Spring clamp connection, with pusher



The plug connector 121-F-211 series with screwless terminals complements our "CONECTA"-Series.

The rated cross-section of 2,5 mm<sup>2</sup> is geared towards screw-connector variants. This plug connector can be used with single-core copper conductors and fine-stranded wires (2,5 mm<sup>2</sup>), but also with pin cable sockets or crimped ferrules. For crimped ferrules, the cross-section must be reduced accordingly. All other rated data is identical with the screw-connector variants.

Test ports for  $\varnothing$  2 mm or  $\varnothing$  2,3 mm test plugs or for spring test pins are accessible from the upper side of the clamp. The plug connector consists of individual poles and can be manufactured to any required pole configuration at our factory.

For each pole the plug connector has one trapezoidal coding groove in which the coding elements 120-K can be inserted.

The plug connector is operated by the built-in pusher.

## Part Numbers

No. of poles	121-F-211	Length	PU
2	12.808.905	10,00	200
3	13.808.955	15,24	200
4	14.808.955	20,32	100
5	15.808.955	25,40	100
6	16.808.955	30,48	100
7	17.808.955	35,56	50
8	18.808.955	40,64	50
9	19.808.955	45,72	50
10	20.808.955	50,08	50
11	21.808.955	55,88	50
12	22.808.955	60,69	50

## General Information

Pitch	5,08 mm
No. of poles	2 - 12
Usable with	all pin strips series 121

## Technical Data

Clamping Range	<i>solid / flexible / AWG</i> 0,2 - 4 mm <sup>2</sup> / 0,2 - 2,5 mm <sup>2</sup> / 24 - 12 AWG
Rated Cross Section	2,5 mm <sup>2</sup>
Wire Stripping Length	8,5 mm $\pm$ 0,5 mm
Overvoltage Category	II
Pollution Severity Level	2
Rated Voltage	320 V
Rated Impulse Voltage	2,5 kV
Rated Insulation Voltage	130 V acc. to EN 60998-1
Rated Current	12 A

## Material

Moulding	PA, grey, V-0
Comparative Tracking Index	CTI $\geq$ 600
Insulating Group	I
Temperature Range	-40°C up to 100°C
Pressure clamp	Copper alloy, tin plated
Tension spring	Stainless strip steel
Spring	Copper alloy, tin plated

## Options / Accessories

- Consecutive numbering
- Special marking according to drawing
- Self-adhesive marking strip BST-5,08
- Coding elements 120-K
- Connectors equipped with coding elements on request
- Strain relief