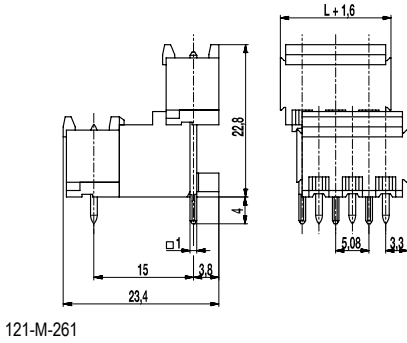
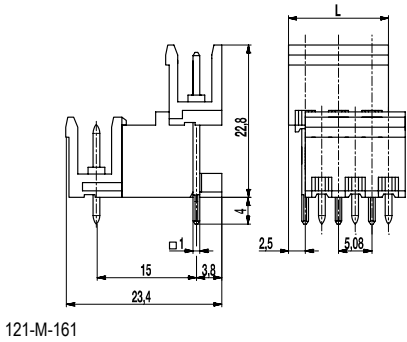


Pin strip

121-M-161/-261

Plug-in direction vertical to PCB, two-tier version



The pin strips 121-M-161 und 121-M-261, as two-tier versions with a pitch of 5,08 mm are available in 4- to 24-pole design.

The ..-M-161 version is a pin strip without side walls and can be mounted side-by-side without pole loss. The ..-M-261 version is a pin strip with closed side walls. For both versions, the plug direction for mating plug connectors is vertical to the PCB.

For each pole, the pin strips have one trapezoidal coding slot in which the coding elements 120-K can be inserted.

Part Numbers

No. of poles	121-M-161	121-M-261	Length	PU
4	30.806.152	30.806.176	10,16	100
6	30.806.153	30.806.177	15,24	100
8	30.806.154	30.806.178	20,32	50
10	30.806.155	30.806.179	25,40	50
12	30.806.156	30.806.180	30,48	50
14	30.806.157	30.806.181	35,56	50
16	30.806.158	30.806.182	40,64	25
18	30.806.159	30.806.183	45,72	25
20	30.806.160	30.806.184	50,80	25
22	30.806.161	30.806.185	55,88	25
24	30.806.162	30.806.186	60,96	25

further number of poles on request

General Information

Pitch	5,08 mm
No. of poles	4 - 24
Usable with	all plug connectors of series 121
Additional Information	Ordering information: ..-M-161: without side walls, not pottable ..-M-261: with side walls, pottable

Technical Data

Overvoltage Category	III	III	II
Pollution Severity Level	3	2	2
Rated Voltage	250 V	320 V	630 V
Rated Impulse Voltage	4 kV	4 kV	4 kV
Rated Insulation Voltage	250 V acc. to EN 60998-1		
Rated Current	12 A		
Hole in PCB	ø 1,4 mm		

Material

Moulding	PA, grey, V-0
Comparative Tracking Index	CTI ≥ 600
Insulating Group	I
Temperature Range	-40°C up to 100°C
Solder pin	1,0 x 1,0 mm; tin plated brass

Approvals

	Current	Voltage	Group	AWG	Nm
	15	300	B		
	10	300	D		
	15	300	B		
	10	300	D, E		

Options / Accessories

- Consecutive numbering
- Special marking according to drawing
- Self-adhesive marking strip BST-5,08
- Pitch of 10,16 mm for larger clearance and creepage distances
- Coding elements 120-K
- Connectors equipped with coding elements on request
- Two-tier version with front pin strip offset to the left
- Special arrangements of front- and rear row of the floor version