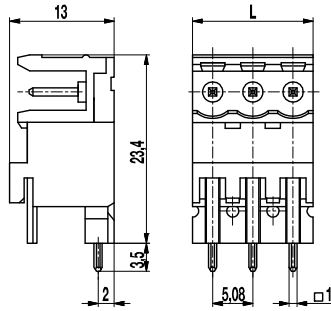


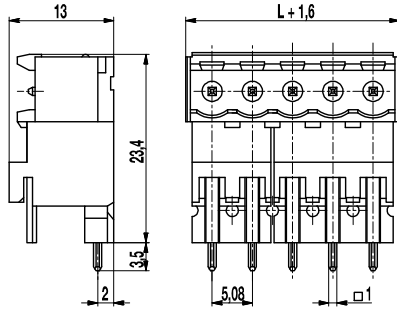
Pin strip

121-M-181/-281

Plug-in direction parallel to PCB, tall version



121-M-181



121-M-281

The pin strips 121-M-181 und 121-M-281, tall version with a pitch of 5,08 mm are available in 2- to 12-pole design.

The ..-M-181 version is a pin strip without side walls and can be mounted side-by-side without pole loss. The ..-M-281 version is a pin strip with closed side walls. For both versions, the plug direction for mating plug connectors is parallel to the PCB.

For each pole, the pin strips have one trapezoidal coding slot in which the coding elements 120-K can be inserted.

Part Numbers

No. of poles	121-M-181	121-M-281	Length	PU
2	25.806.152	25.806.176	10,16	200
3	25.806.153	25.806.177	15,24	100
4	25.806.154	25.806.178	20,32	100
5	25.806.155	25.806.179	25,40	100
6	25.806.156	25.806.180	30,48	100
7	25.806.157	25.806.181	35,56	50
8	25.806.158	25.806.182	40,64	50
9	25.806.159	25.806.183	45,72	50
10	25.806.160	25.806.184	50,80	50
11	25.806.161	25.806.185	55,88	50
12	25.806.162	25.806.186	60,96	50

further number of poles on request

General Information

Pitch	5,08 mm
No. of poles	2 - 12
Usable with	all plug connectors of series 121
Additional Information	Ordering information: ..-M-181: without side walls, not pottable ..-M-281: with side walls, pottable

Technical Data

Overvoltage Category	III	III	II
Pollution Severity Level	3	2	2
Rated Voltage	250 V	320 V	630 V
Rated Impulse Voltage	4 kV	4 kV	4 kV
Rated Insulation Voltage	250 V acc. to EN 60998-1		
Rated Current	12 A		
Hole in PCB	ø 1,4 mm		

Material

Moulding	PA, grey, V-0
Comparative Tracking Index	CTI ≥ 600
Insulating Group	I
Temperature Range	-40°C up to 100°C
Solder pin	1,0 x 1,0 mm; tin plated brass

Approvals

	Current	Voltage	Group	AWG	Nm
	15	300	B		
	10	300	D		
	15	300	B		
	10	300	D, E		

Options / Accessories

- Consecutive numbering
- Special marking according to drawing
- Self-adhesive marking strip BST-5,08
- Pitch of 10,16 mm for larger clearance and creepage distances
- Coding elements 120-K
- Connectors equipped with coding elements on request