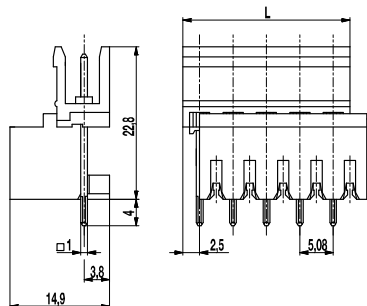


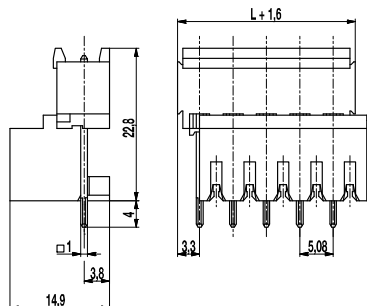
Pin strip

121-M-191/-291

Plug-in direction vertical to PCB, tall version



121-M-191



121-M-291

The pin strips 121-M-191 und 121-M-291 as tall version with a pitch of 5,08 mm are available in 2- to 12-pole design.

The ..-M-191 version is a pin strip without side walls and can be mounted side-by-side without pole loss. The ..-M-291 version is a pin strip with closed side walls. For both versions, the plug direction for mating plug connectors is vertical to the PCB.

For each pole, the pin strips have one trapezoidal coding slot in which the coding elements 120-K can be inserted.

Part Numbers

No. of poles	121-M-191	120-M-291	Length	PU
2	25.806.102	25.806.126	10,16	200
3	25.806.103	25.806.127	15,24	100
4	25.806.104	25.806.128	20,32	100
5	25.806.105	25.806.129	25,40	100
6	25.806.106	25.806.130	30,48	100
7	25.806.107	25.806.131	35,56	50
8	25.806.108	25.806.132	40,64	50
9	25.806.109	25.806.133	45,72	50
10	25.806.110	25.806.134	50,80	50
11	25.806.111	25.806.135	55,88	50
12	25.806.112	25.806.136	60,96	50

further number of poles on request

General Information

Pitch	5,08 mm
No. of poles	2 - 12
Usable with	all plug connectors of series 121
Additional Information	Ordering information: ..-M-191: without side walls, not pottable ..-M-291: with side walls, pottable

Technical Data

Overvoltage Category	III	III	II
Pollution Severity Level	3	2	2
Rated Voltage	250 V	320 V	630 V
Rated Impulse Voltage	4 kV	4 kV	4 kV
Rated Insulation Voltage	250 V acc. to EN 60998-1		
Rated Current	12 A		
Hole in PCB	ø 1,4 mm		

Material

Moulding	PA, grey, V-0
Comparative Tracking Index	CTI ≥ 600
Insulating Group	I
Temperature Range	-40°C up to 100°C
Solder pin	1,0 x 1,0 mm; tin plated brass

Approvals

	Current	Voltage	Group	AWG	Nm
	15	300	B		
	10	300	D		
	15	300	B		
	10	300	D, E		

Options / Accessories

- Consecutive numbering
- Special marking according to drawing
- Self-adhesive marking strip BST-5,08
- Pitch of 10,16 mm for larger clearance and creepage distances
- Coding elements 120-K
- Connectors equipped with coding elements on request