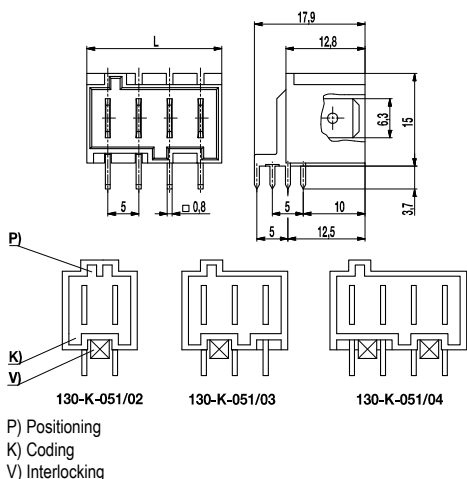
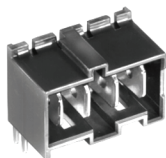
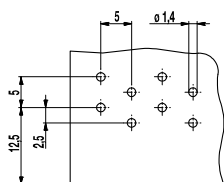


Tab connector 130-K



PCB Layout



This plug connector was developed according to "White Goods Standard RAST 5 (Plug-Connection-Technology with a pitch of 5 mm). Due to its diverse coding possibilities, it offers maximum safety against incorrect plugging.

The tab connector strips are manufactured specifically according to the respective coding application. A corresponding drawing or description of the desired positioning (P), coding (K) and interlocking (V) is to be provided by the customer.

The technical drawing shows an example of a 4-pole version in three different views, and the coding of a 2- and 3-pole design with the corresponding article designations. The corresponding article numbers are listed below.

Other coded versions (P,K,V) are available upon request.

Part Numbers

No. of poles	130-K	Length	PU
2	51.803.320	12,00	100
3	51.803.330	17,00	100
4	51.803.340	22,00	100

further number of poles on request

General Information

Pitch	5 mm
No. of poles	2 - 12
Usable with	Plug connectors 130-A, 130-P

Technical Data

Overvoltage Category	III	III	II
Pollution Severity Level	3	2	2
Rated Voltage	250 V	320 V	400 V
Rated Impulse Voltage	4 kV	4 kV	4 kV
Rated Insulation Voltage	250 V acc. to EN 60998-1		
Rated Current	12 A		
Hole in PCB	ø 1,4 mm		

Material

Moulding	PBT, natural, V-0
Comparative Tracking Index	CTI ≥ 275
Insulating Group	IIIa
Temperature Range	-40°C up to 130°C
Solder pin	0,8 x 0,8 mm, Tin plated brass
Tab	6,3 x 0,8 mm, Tin plated brass

Approvals

	Current	Voltage	Group	AWG	Nm
	22	300	B		
	10	300	D		
	22	300	B		
	10	300	D, E		

Options / Accessories

- Pitch of 10 mm for larger clearance and creepage distances
- Tab for solder brige