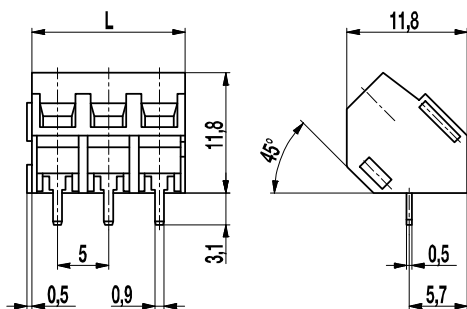


## PCB connector

### 140-C-111

Screw connection diagonal 45° to PCB, interlocking



The PCB connector 140-C-111 is the inclined version with lift system with a pitch of 5 mm and available with 2 to 24 poles.

The wire entrance is diagonal, i.e. in a 45° angle to the PC board. Therefore, this PCB connector is ideal for the assembly in the center of PCBs. The design of this PCB connector allows space-saving arrangement of consecutive rows of terminals.

Lateral latching elements on the housing allow to lock the PCB connector to longer terminal rows without pole loss. The screws are captive.

#### Part Numbers

No. of poles	140-C-111	Length	PU
2	10.801.502	10,00	250
3	10.801.503	15,00	250
4	10.801.504	20,00	200
5	10.801.505	25,00	100
6	10.801.506	30,00	100
7	10.801.507	35,00	100
8	10.801.508	40,00	100
9	10.801.509	45,00	100
10	10.801.510	50,00	100
11	10.801.511	55,00	100
12	10.801.512	60,00	100
13	10.801.513	65,00	100
14	10.801.514	70,00	100
15	10.801.515	75,00	100
16	10.801.516	80,00	100
17	10.801.517	85,00	100
18	10.801.518	90,00	100
19	10.801.519	95,00	100
20	10.801.520	100,00	100
21	10.801.521	105,00	100
22	10.801.522	110,00	100
23	10.801.523	115,00	100
24	10.801.524	120,00	100

#### General Information

Pitch	5 mm
No. of poles	2 - 24

#### Technical Data

Clamping Range	<i>solid / flexible / AWG</i> 0,14 - 2,5 mm <sup>2</sup> / 0,14 - 1,5 mm <sup>2</sup> / 26 - 14 AWG		
Rated Cross Section	1,5 mm <sup>2</sup>		
Wire Stripping Length	6 mm ± 0,5 mm		
Overvoltage Category	III	III	II
Pollution Severity Level	3	2	2
Rated Voltage	200 V	320 V	500 V
Rated Impulse Voltage	4 kV	4 kV	4 kV
Rated Insulation Voltage	250 V acc. to EN 60998-1		
Rated Current	16 A		
Hole in PCB	ø 1,2 mm		
Torque	0,5 Nm		

#### Material

Moulding	PA, grey, V-0
Comparative Tracking Index	CTI ≥ 600
Insulating Group	I
Temperature Range	-40°C up to 100°C
Terminal body	Nickel plated brass
Pressure clamp	Copper alloy, tin plated
Screw	M3; zinc plated steel, blue passivated
Solder pin	0,9 x 0,5 mm; Copper alloy, tin plated

#### Approvals

	Current	Voltage	Group	AWG	Nm
	10 [1]	300	B, D	30 - 14	0,51
	15	300	B	30 - 14	0,51

[1] 20 A max for factory-wiring applications only

#### Options / Accessories

- Consecutive numbering
- Special marking according to drawing
- Self-adhesive marking strip BST-5,00
- Pitch of 10 mm for larger clearance and creepage distances
- Can be fitted together to larger pole numbers