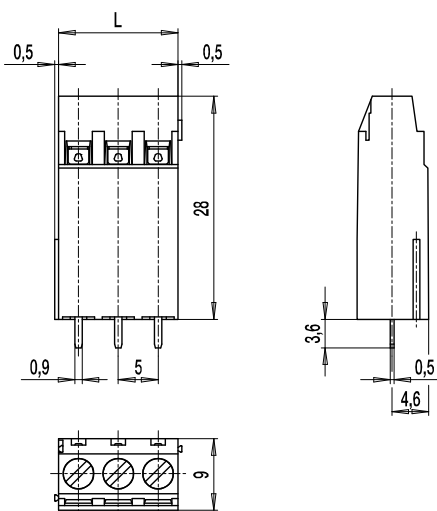


## PCB connector

### 140-E-111

Screw connection, interlocking, tall version



The PCB connector 140-E-111, tall version with lift system with a pitch of 5 mm, is available with 2 or 3 poles.

Due to the raised design, the clamping space projects over e.g. parts or housing edges in front. This PCB connector can also be used for encapsulating circuits.

Lateral latching elements on the housing allow to lock the 2- or 3-pole PCB connector to connectors of any pole number without pole loss. The wire entrance is parallel to the PCB.

The screws are captive.

#### Part Numbers

No. of poles	140-E-111	Length	Pcs
2	10.801.482	10,00	100
3	10.801.483	15,00	100

#### General Information

Pitch	5 mm
No. of poles	2 + 3

#### Technical Data

Clamping Range	<i>solid / flexible / AWG</i> 0,14 - 1,5 mm <sup>2</sup> / 0,14 - 1,5 mm <sup>2</sup> / 26 - 16 AWG		
Rated Cross Section	1,5 mm <sup>2</sup>		
Wire Stripping Length	6 mm ± 0,5 mm		
Overvoltage Category	III	III	II
Pollution Severity Level	3	2	2
Rated Voltage	160 V	160 V	320 V
Rated Impulse Voltage	2,5 kV	2,5 kV	2,5 kV
Rated Insulation Voltage	250 V acc. to EN 60998-1		
Rated Current	16 A		
Hole in PCB	ø 1,2 mm		
Torque	0,5 Nm		

#### Material

Moulding	PA, grey, V-0
Comparative Tracking Index	CTI ≥ 600
Insulating Group	I
Temperature Range	-40°C up to 100°C
Terminal body	Nickel plated brass
Pressure clamp	Copper alloy, tin plated
Screw	M3; zinc plated steel, blue passivated
Solder pin	0,9 x 0,5 mm; Copper alloy, tin plated

#### Approvals

	Current	Voltage	Group	AWG	Nm
	10 [1]	300	B	30 - 14	0,51
	15 10	150 300	B D	30 - 14 30 - 14	0,51 0,51

[1] 20 A max for factory-wiring applications only

#### Options / Accessories

- Consecutive numbering
- Special marking according to drawing
- Self-adhesive marking strip BST-5,00
- Pitch of 10 mm for larger clearance and creepage distances
- Can be fitted together to larger pole numbers