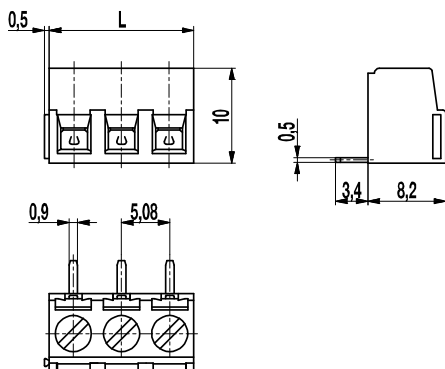
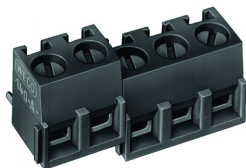


PCB connector

141-A-121

Screw connection, wire entrance vertical to PCB, interlocking



The PCB connector 141-A-121 with lift system is the horizontal version of 141-A-111 with a pitch of 5,08 mm and available in 2 and 3 pole design.

Lateral latching elements on the housing allow to lock the PCB connector to longer terminal rows without pole loss. The wire entrance is vertical to the PCB. The screws are captive.

Part Numbers

No. of poles	141-A-121	Length	Pcs
2	20.801.302	10,16	250
3	20.801.303	15,24	250

General Information

Pitch	5,08 mm
No. of poles	2 + 3

Technical Data

Clamping Range	<i>solid / flexible / AWG</i> 0,14 - 2,5 mm ² / 0,14 - 1,5 mm ² / 26 - 14 AWG		
Rated Cross Section	1,5 mm ²		
Wire Stripping Length	6 mm ± 0,5 mm		
Overvoltage Category	III	III	II
Pollution Severity Level	3	2	2
Rated Voltage	200 V	320 V	500 V
Rated Impulse Voltage	4 kV	4 kV	4 kV
Rated Insulation Voltage	250 V acc. to EN 60998-1		
Rated Current	16 A		
Hole in PCB	ø 1,2 mm		
Torque	0,5 Nm		

Material

Moulding	PA, grey, V-0
Comparative Tracking Index	CTI ≥ 600
Insulating Group	I
Temperature Range	-40°C up to 100°C
Terminal body	Nickel plated brass
Pressure clamp	Tin plated tin bronze
Screw	M3; zinc plated steel, blue passivated
Solder pin	0,9 x 0,5 mm; tin plated tin bronze

Approvals

	Current	Voltage	Group	AWG	Nm
	10 [1]	300	B, D	30 - 14	0,51
	15	300	B	30 - 14	0,51

[1] 20 A max for factory-wiring applications only

Options / Accessories

- Consecutive numbering
- Special marking according to drawing
- Self-adhesive marking strip BST-5,08
- Pitch of 10,16 mm for larger clearance and creepage distances