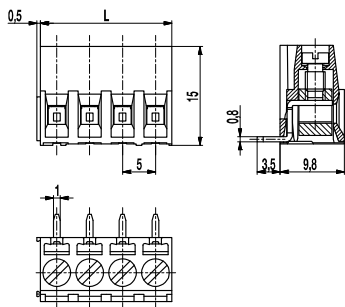


PCB connector

145-A-121

Screw connection, wire entrance vertical to PCB, interlocking



The PCB connector 145-A-121 with lift system is the horizontal version of 145-A-111 with a pitch of 5 mm and is available with 2 to 24 poles.

Lateral latching elements on the housing allow to connect the PCB connector to longer terminal strips without pole loss. The wire entrance is vertical to the PCB. The screws are captive.

Part Numbers

| No. of poles | 145-A-121 | Length | Pcs |
|--------------|------------|--------|-----|
| 2 | 20.805.402 | 10,00 | 250 |
| 3 | 20.805.403 | 15,00 | 250 |
| 4 | 20.805.404 | 20,00 | 200 |
| 5 | 20.805.405 | 25,00 | 100 |
| 6 | 20.805.406 | 30,00 | 100 |
| 7 | 20.805.407 | 35,00 | 100 |
| 8 | 20.805.408 | 40,00 | 100 |
| 9 | 20.805.409 | 45,00 | 100 |
| 10 | 20.805.410 | 50,00 | 100 |
| 11 | 20.805.411 | 55,00 | 100 |
| 12 | 20.805.412 | 60,00 | 100 |
| 13 | 20.805.413 | 65,00 | 100 |
| 14 | 20.805.414 | 70,00 | 100 |
| 15 | 20.805.415 | 75,00 | 100 |
| 16 | 20.805.416 | 80,00 | 100 |
| 17 | 20.805.417 | 85,00 | 100 |
| 18 | 20.805.418 | 90,00 | 100 |
| 19 | 20.805.419 | 95,00 | 100 |
| 20 | 20.805.420 | 100,00 | 100 |
| 21 | 20.805.421 | 105,00 | 100 |
| 22 | 20.805.422 | 110,00 | 100 |
| 23 | 20.805.423 | 115,00 | 100 |
| 24 | 20.805.424 | 120,00 | 100 |

General Information

| | |
|--------------|--------|
| Pitch | 5 mm |
| No. of poles | 2 - 24 |

Technical Data

| | | | |
|--------------------------|---|-------|-------|
| Clamping Range | <i>solid / flexible / AWG</i> | | |
| | 0,14 - 4 mm ² / 0,14 - 2,5 mm ² / 26 - 14 AWG | | |
| Rated Cross Section | 2,5 mm ² | | |
| Wire Stripping Length | 7 mm ± 0,5 mm | | |
| Overvoltage Category | III | III | II |
| Pollution Severity Level | 3 | 2 | 2 |
| Rated Voltage | 250 V | 320 V | 630 V |
| Rated Impulse Voltage | 4 kV | 4 kV | 4 kV |
| Rated Insulation Voltage | 250 V acc. to EN 60998-1 | | |
| Rated Current | 24 A | | |
| Hole in PCB | ø 1,4 mm | | |
| Torque | 0,5 Nm | | |

Material

| | |
|----------------------------|--|
| Moulding | PA, grey, V-0 |
| Comparative Tracking Index | CTI ≥ 600 |
| Insulating Group | I |
| Temperature Range | -40°C up to 100°C |
| Terminal body | Nickel plated brass |
| Pressure clamp | Copper alloy, tin plated |
| Screw | M3; zinc plated steel, blue passivated |
| Solder pin | 1,0 x 0,8 mm; copper alloy, tin plated |

Approvals

| | Current | Voltage | Group | AWG | Nm |
|--|---------|---------|-------|---------|------|
| | 20 | 300 | B | 26 - 12 | 0,51 |
| | 10 | 300 | D | 26 - 12 | 0,51 |
| | 20 | 300 | B | 26 - 12 | 0,51 |
| | 10 | 300 | D, E | 26 - 12 | 0,51 |
| | | | | | |

Options / Accessories

- Consecutive numbering
- Special marking according to drawing
- Self-adhesive marking strip BST-5,00
- Pitch of 10 mm for larger clearance and creepage distances