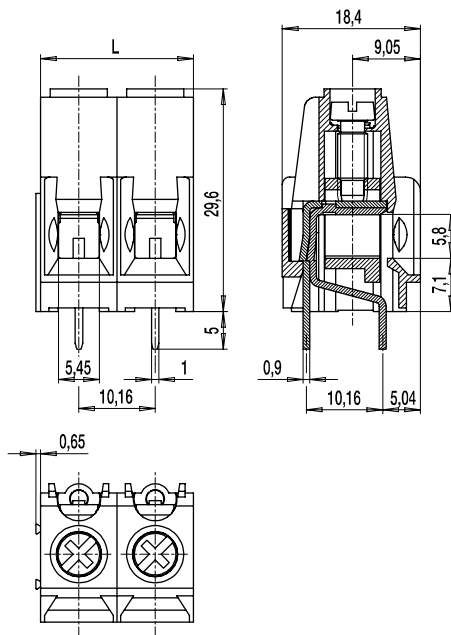


158-A-111

PCB connector
Screw connection



 **RoHS**
COMPLIANT



Series 158-A is particularly designed for high voltages and strong currents. A terminal space for solid wires of up to 16 mm² or for flexible wires of up to 10 mm² is characteristic for this series. Two solder pins per pole ensure safe connection to the PCB.

Series 158-A-111 is a low version in 10.16 mm pitch and suitable for voltages up to 690 V.

Unlimited UL-approval (UL1059, general industrial, Group C) for 300 V facilitates design approval. This series is suitable for field wiring applications according to UL508C.

Part Numbers

No. of poles	158-A-111	Length	PU
2	12.801.901	20,32	50
3	13.801.901	30,48	50
4	14.801.901	40,64	50
5	15.801.901	50,80	50

further number of poles on request

General Information

Pitch	10,16 mm
No. of poles	2 - 12
Usable with	158-A-211, 159-A-111 and 159-A-211, mountable side-by-side to any series connector
Areas of application	Power electronics, in particular for drives with frequency converters, and also for power supplies and charging units.
Additional Information	Hole for \varnothing 2 mm test plug



Technical Data

Clamping Range	<i>solid / flexible / AWG</i>		
	0,5 - 16 mm ² / 0,5 - 10 mm ² / 20 - 6 AWG		
Rated Cross Section	10 mm ²		
Wire Stripping Length	10,5 mm \pm 1 mm		
Overvoltage Category	III	III	II
Pollution Severity Level	3	2	2
Rated Voltage	690 V	1000 V	1000 V
Rated Impulse Voltage	8 kV	8 kV	6 kV
Rated Current	57 A		
Hole in PCB	\varnothing 1,5 mm		
Torque	1,2 Nm		
Other specifications	Maximum current/cross-section 76 A / 16 mm ² , stranded wire		

Material

Moulding	PA, grey, V-0
Comparative Tracking Index	CTI \geq 600
Insulating Group	I
Temperature Range	-40°C up to 100°C
Terminal body	Nickel plated brass
Pressure clamp	Tin plated copper
Screw	Plus-minus, M4; zinc plated steel, blue passivated
Solder pin	Tin plated copper

Approvals

	Current [A]	Voltage [V]	Group	AWG	[Nm]
	60	300	B, C	20 - 6	1,3
	10	300	D	20 - 6	1,3
	Current [A]	Voltage [V]	[mm ²]		
	57	690 - 1000 [1]	2,5 - 10		

[1] Marks approval acc. to DIN EN 60947-7-4

Options / Accessories

- Consecutive numbering
- Special marking according to drawing
- Self-adhesive marking strip BST-10,16