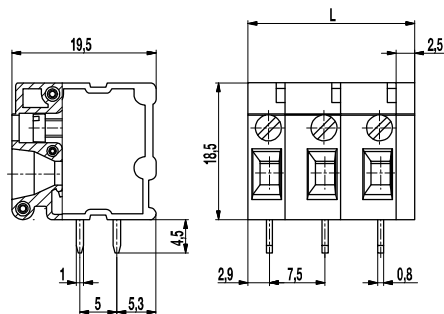


PCB connector

182-A-111

Screw connection



The PCB connector 182-A-111 features parallel entry for both conductor and screwdriver. It can also be used as printed circuit board termination with front panel penetration.

These PCB connectors are available in 7.5 mm pitch with up to 12 poles, but they can also be plugged together as longer terminal strips. Each pole has a double solder termination with 5 mm pin spacing. The wire entrance is parallel to the PCB.

Part Numbers

| No. of poles | 182-A-111 | Length | Pcs |
|--------------|------------|--------|-----|
| 2 | 12.819.008 | 15,00 | 200 |
| 3 | 13.819.008 | 22,50 | 100 |
| 4 | 14.819.008 | 30,00 | 50 |
| 5 | 15.819.008 | 37,50 | 100 |
| 6 | 16.819.008 | 45,00 | 100 |
| 7 | 17.819.008 | 52,50 | 50 |
| 8 | 18.819.008 | 60,00 | 50 |
| 9 | 19.819.008 | 67,50 | 50 |
| 10 | 20.819.008 | 75,00 | 25 |
| 11 | 21.819.008 | 82,50 | 25 |
| 12 | 22.819.008 | 90,00 | 25 |

General Information

| | |
|----------------------|--|
| Pitch | 7,5 mm |
| No. of poles | 2 - 12 |
| Areas of application | Particularly suitable for confined mounting space or only single-sided access. |

Technical Data

| | | | |
|--------------------------|--|-------|--------|
| Clamping Range | <i>solid / flexible / AWG</i> 0,14 - 4 mm ² / 0,14 - 2,5 mm ² / 26 - 12 AWG | | |
| Rated Cross Section | 2,5 mm ² | | |
| Wire Stripping Length | 9 mm ± 0,5 mm | | |
| Overvoltage Category | III | III | II |
| Pollution Severity Level | 3 | 2 | 2 |
| Rated Voltage | 500 V | 630 V | 1000 V |
| Rated Impulse Voltage | 6 kV | 6 kV | 6 kV |
| Rated Insulation Voltage | 750 V acc. to EN 60998-1 | | |
| Rated Current | 24 A | | |
| Hole in PCB | ø 1,4 mm | | |
| Torque | 0,4 Nm | | |

Material

| | |
|----------------------------|--|
| Moulding | PA, grey, V-0 |
| Comparative Tracking Index | CTI ≥ 600 |
| Insulating Group | I |
| Temperature Range | -40°C up to 100°C |
| Pressure clamp | Tin plated copper |
| Screw | M2,5; zinc plated steel, blue passivated |
| Solder pin | 1,0 x 0,8 mm; tin plated copper |
| Terminal body | Zinc plated steel, blue passivated |
| Pressure plate | Brass, bright |

Approvals

| | Current | Voltage | Group | AWG | Nm |
|--|---------|---------|-------|---------|-----|
| | 20 | 300 | B | 24 - 12 | 0,4 |
| | 20 | 150 | C | 24 - 12 | 0,4 |
| | 10 | 300 | D | 24 - 12 | 0,4 |
| | 20 | 300 | B | 24 - 12 | 0,4 |
| | 10 | 300 | D, E | 24 - 12 | 0,4 |

Options / Accessories

- Consecutive numbering
- Special marking according to drawing
- Self-adhesive marking strip BST-7,50
- Connected to larger number of poles