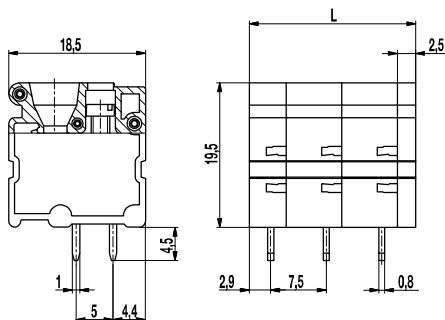


PCB connector

182-A-121

Screw connection, wire entrance vertical to PCB



The PCB connector 182-A-121 features parallel entry for both conductor and screwdriver. It can also be used as printed circuit board termination with front panel penetration.

These PCB connectors are available in 7.5 mm pitch with up to 12 poles, but they can also be plugged together as longer terminal strips. Each pole has a double solder termination with 5 mm pin spacing. The wire entrance is vertical to the PCB.

Part Numbers

No. of poles	182-A-121	Length	Pcs
2	12.819.007	15,00	200
3	13.819.007	22,50	100
4	14.819.007	30,00	50
5	15.819.007	37,50	100
6	16.819.007	45,00	100
7	17.819.007	52,50	50
8	18.819.007	60,00	50
9	19.819.007	67,50	50
10	20.819.007	75,00	50
11	21.819.007	82,50	50
12	22.819.007	90,00	50

General Information

Pitch	7,5 mm
No. of poles	2 - 12
Areas of application	Particularly suitable for confined mounting space or only single-sided access.

Technical Data

Clamping Range	<i>solid / flexible / AWG</i> 0,14 - 4 mm ² / 0,14 - 2,5 mm ² / 26 - 12 AWG		
Rated Cross Section	2,5 mm ²		
Wire Stripping Length	9 mm ± 0,5 mm		
Overvoltage Category	III	III	II
Pollution Severity Level	3	2	2
Rated Voltage	500 V	630 V	1000 V
Rated Impulse Voltage	6 kV	6 kV	6 kV
Rated Insulation Voltage	750 V acc. to EN 60998-1		
Rated Current	24 A		
Hole in PCB	ø 1,4 mm		
Torque	0,4 Nm		

Material

Moulding	PA, grey, V-0
Comparative Tracking Index	CTI ≥ 600
Insulating Group	I
Temperature Range	-40°C up to 100°C
Pressure clamp	Tin plated copper
Screw	M2,5; zinc plated steel, blue passivated
Solder pin	1,0 x 0,8 mm; tin plated copper
Terminal body	Zinc plated steel, blue passivated
Pressure plate	Brass, bright

Approvals

	Current	Voltage	Group	AWG	Nm
	20	300	B	24 - 12	0,4
	20	150	C	24 - 12	0,4
	10	300	D	24 - 12	0,4
	20	300	B	24 - 12	0,4
	10	300	D, E	24 - 12	0,4

Options / Accessories

- Consecutive numbering
- Special marking according to drawing
- Self-adhesive marking strip BST-7,50
- Connected to larger number of poles