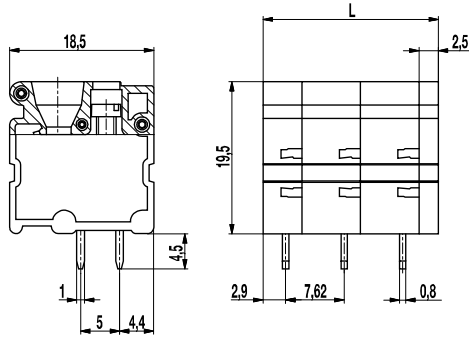


PCB connector

183-A-121

Screw connection, wire entrance vertical to PCB



The PCB connector 183-A-121 features parallel entry for both conductor and screwdriver. It can also be used as printed circuit board termination with front panel penetration.

These PCB connectors are available in 7.62 mm pitch with up to 12 poles, but they can also be plugged together as longer terminal strips. Each pole has a double solder termination with 5 mm pin spacing. The wire entrance is vertical to the PCB.

Part Numbers

No. of poles	183-A-121	Length	PU
2	12.819.057	15,24	200
3	13.819.057	22,86	100
4	14.819.057	30,48	50
5	15.819.057	38,10	100
6	16.819.057	45,72	100
7	17.819.057	53,34	50
8	18.819.057	60,96	50
9	19.819.057	68,58	50
10	20.819.057	76,20	50
11	21.819.057	83,82	50
12	22.819.057	91,44	50

General Information

Pitch	7,62 mm
No. of poles	2 - 12
Areas of application	Particularly suitable for confined mounting space or only single-sided access.



Technical Data

Clamping Range	<i>solid / flexible / AWG</i> 0,14 - 4 mm ² / 0,14 - 2,5 mm ² / 26 - 12 AWG		
Rated Cross Section	2,5 mm ²		
Wire Stripping Length	9 mm ± 0,5 mm		
Overvoltage Category	III	III	II
Pollution Severity Level	3	2	2
Rated Voltage	500 V	630 V	1000 V
Rated Impulse Voltage	6 kV	6 kV	6 kV
Rated Insulation Voltage	750 V acc. to EN 60998-1		
Rated Current	24 A		
Hole in PCB	ø 1,4 mm		
Torque	0,4 Nm		

Material

Moulding	PA, grey, V-0
Comparative Tracking Index	CTI = 600
Insulating Group	I
Temperature Range	-40°C up to 100°C
Pressure clamp	Tin plated copper
Screw	M2,5; zinc plated steel, blue passivated
Solder pin	1,0 x 0,8 mm; tin plated copper
Terminal body	Zinc plated steel, blue passivated
Pressure plate	Brass, bright

Approvals

	Current	Voltage	Group	AWG	Nm
	20	300	B	24 - 12	0,4
	20	150	C	24 - 12	0,4
	10	300	D	24 - 12	0,4
	20	300	B	24 - 12	0,4
	10	300	D, E	24 - 12	0,4

Options / Accessories

- Consecutive numbering
- Special marking according to drawing
- Connected to larger number of poles