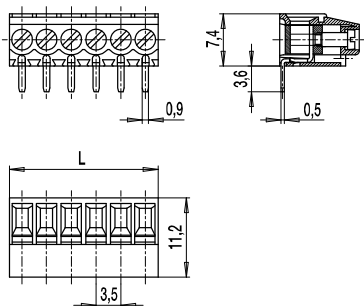


## PCB connector

### 210-A-121

Screw connection, wire entrance vertical to PCB



Series 210 is a space-saving PCB connector with a pitch of 3,5 mm and with relatively high connection capacity.

The 2 to 24 pole connectors are equipped with M2 captive screws offering high-quality screw connection with elevator system. Connectors with such elevator system are ideal for frequent disconnections because terminal body and conductor move parallel towards the pressure clamp. The elevator system allows easy disconnecting and contacting without any material fatigue of the connector. A special feature of the housing is the easy identification of the pole separation, when viewed from the top.

The connectors come equipped with a test hole and can be mounted side-by-side without pole loss.

#### Part Numbers

No. of poles	210-A-121	Length	PU
2	20.804.002	7,00	250
3	20.804.003	10,50	250
4	20.804.004	14,00	250
5	20.804.005	17,50	200
6	20.804.006	21,00	200
8	20.804.008	28,00	100
10	20.804.010	35,00	100
12	20.804.012	42,00	100

further number of poles on request

#### General Information

Pitch	3,5 mm
No. of poles	2 - 24
Areas of application	For all applications requiring low profile but large terminal space of 1,7 x 2,6 mm.




#### Technical Data

Clamping Range	<i>solid / flexible / AWG</i>		
	0,14 - 1,5 mm <sup>2</sup> / 0,14 - 1,5 mm <sup>2</sup> / 30 - 16 AWG		
Rated Cross Section	1 mm <sup>2</sup>		
Wire Stripping Length	5,5 mm ± 0,5 mm		
Overvoltage Category	III	III	II
Pollution Severity Level	3	2	2
Rated Voltage	160 V	160 V	320 V
Rated Impulse Voltage	2,5 kV	2,5 kV	2,5 kV
Rated Insulation Voltage	130 V acc. to EN 60998-1		
Rated Current	12,5 A		
Hole in PCB	ø 1,2 mm		
Torque	0,2 Nm		

#### Material

Moulding	PA, grey, V-0
Comparative Tracking Index	CTI 400
Insulating Group	II
Temperature Range	-40°C up to 100°C
Terminal body	Nickel plated brass
Pressure clamp	Copper alloy, tin plated
Screw	M2; copper alloy, tin plated
Solder pin	Copper alloy, tin plated

#### Approvals

	Current	Voltage	Group	AWG	Nm
	10	300	B	30 - 16	0,23
	10	300	B	30 - 16	0,22
					

#### Options / Accessories

- Consecutive numbering
- Special marking according to drawing
- Self-adhesive marking strip BST-3,50