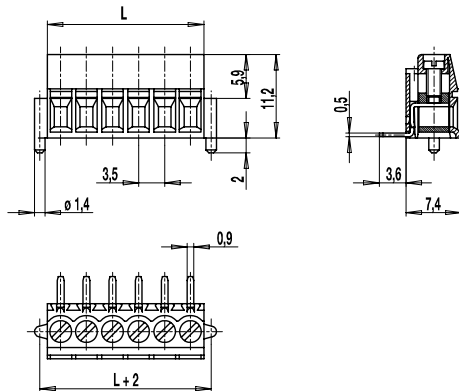


210-A-SMD

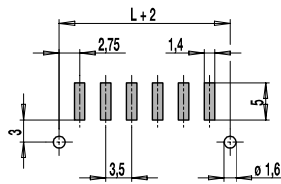
PCB connector for SMD

Screw connection, with anti-twist peg



L = No. of poles x pitch

PCB Layout



Solder paste thickness: 0,2 mm

The PCB connectors for surface mounting comprise several types for reflow processes.

The SMD connector 210-A-SMD with a pitch of 3,5 mm is designed with screw connections in elevator clamping style and available in 2 to 12 pole design.

The terminal clamp and the soldering tag are manufactured as a single unit and permanently engaged in the housing. The solder pins are exactly aligned parallel to the printed circuit board in order to create a coplanar connection after the reflow soldering process.

The moulding is made of heat resistant thermoplastic material and equipped with plastic pegs on both sides to prevent twisting.

The use of a strain relief is recommended. This article is only available in tubes or in Tape-on-Reel.

Part Numbers

No. of poles	210-A-SMD	Length	PU
2	10.804.202	7,00	900
3	10.804.203	10,50	684
4	10.804.204	14,00	540
5	10.804.205	17,50	450
6	10.804.206	21,00	378
8	10.804.208	28,00	288
10	10.804.210	35,00	234
12	10.804.212	42,00	198

further number of poles on request

General Information

Pitch	3,5 mm
No. of poles	2 - 12




Technical Data

Clamping Range	<i>solid / flexible / AWG</i>		
	0,14 - 1,5 mm ² / 0,14 - 1,5 mm ² / 30 - 16 AWG		
Rated Cross Section	1 mm ²		
Wire Stripping Length	5,5 mm ± 0,5 mm		
Overvoltage Category	III	III	II
Pollution Severity Level	3	2	2
Rated Voltage	160 V	160 V	320 V
Rated Impulse Voltage	2,5 kV	2,5 kV	2,5 kV
Rated Insulation Voltage	130 V acc. to EN 60998-1		
Rated Current	12,5 A		
Soldering process	Reflow solder		
Torque	0,2 Nm		

Material

Moulding	PA HT, black, V-0
Comparative Tracking Index	CTI ≥ 600
Insulating Group	I
Temperature Range	-40°C up to 120°C; reflow solder temperature peak max. 255°C acc. to DIN EN 61760-1
Terminal body	Nickel plated brass
Pressure clamp	Copper alloy, tin plated
Screw	M2; Copper alloy, tin plated
Solder pin	Copper alloy, tin plated

Approvals

	Current [A]	Voltage [V]	Group	AWG	[Nm]
	10	300	B	30 - 16	0,23
	10	300	B	30 - 16	0,22
					

Options / Accessories

- Consecutive numbering
- Special marking according to drawing
- Self-adhesive marking strip BST-3,50 [1]

Part Numbers: Tape-on-Reel

No. of poles	210-A-SMD	Tape Width	Tape Height	PU
2	10.804.202.A00	44 mm	14,6 mm	325
3	10.804.203.A00	44 mm	14,6 mm	325
4	10.804.204.A00	44 mm	14,6 mm	325
5	10.804.205.A00	44 mm	14,6 mm	325
6	10.804.206.A00	44 mm	14,6 mm	325
7	10.804.207.A00	44 mm	14,6 mm	325

further number of poles on request

[1] To be fitted after reflow soldering process