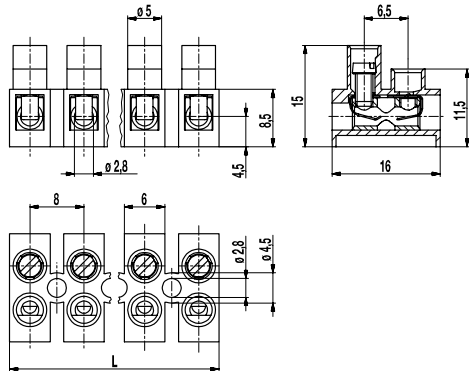
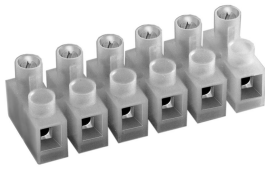


302-FB(-DS)

Plug-in terminal strip
Screw connection & socket with clamping spring



The plug-in connector strip 302-FB is available in 8 mm pitch with 2 to 12 poles. It is well suited for applications where space is limited. It has one screw connection per pole and one plug-in connection for a terminal strip with pins.

Plug-in terminal strips 302-SV or 302-SVG create a plug connection where both lead terminals are located parallel to the PCB. The contact pressure is applied by a stainless-steel spring.

The wire protector of the "DS"-version reliably prevents damage to multi-wire flexible conductors by the turning screw. These terminal strips can be screw-mounted on a substrate.

Part Numbers

No. of poles	302-FB	302-FB-DS	Length	PU
2	72.820.029	84.820.029	15,00	250
3	73.820.029	85.820.029	23,00	250
4	74.820.029	86.820.029	31,00	250
5	75.820.029	87.820.029	39,00	80
6	76.820.029	88.820.029	47,00	80
7	77.820.029	89.820.029	55,00	50
8	78.820.029	90.820.029	63,00	50
9	79.820.029	91.820.029	71,00	50
10	80.820.029	92.820.029	79,00	40
11	81.820.029	93.820.029	87,00	40
12	82.820.029	94.820.029	94,00	40

General Information

Pitch	8 mm
No. of poles	2 - 12
Usable with	302-SV(-DS), 302-SVG
Areas of application	Applications that require to easily open and close not energised circuits.



Technical Data

Clamping Range	<i>solid / flexible / AWG</i>		
<i>without wire protector</i>	0,5 - 4 mm ² / 0,5 - 2,5 mm ² / 20 - 12 AWG		
<i>with wire protector</i>	0,34 - 2,5 mm ² / 0,34 - 1,5 mm ² / 22 - 14 AWG		
Rated Cross Section	1,5 mm ²		
Wire Stripping Length	5 mm ± 0,5 mm		
Overvoltage Category	III	III	II
Pollution Severity Level	3	2	2
Rated Voltage	160 V	160 V	320 V
Rated Impulse Voltage	2,5 kV	2,5 kV	2,5 kV
Rated Insulation Voltage	130 V acc. to EN 60998-1		
Rated Current	6 A		
Torque	0,4 Nm		
Other specifications	Rated values apply to use in combination with 302-SV(-DS) and without insulated substrates.		

Material

Moulding	PA, natural, V-2
Comparative Tracking Index	CTI ≥ 600
Insulating Group	I
Temperature Range	-40°C up to 100°C
Terminal Body	Nickel plated brass
Screw	M2,6; zinc plated steel, blue passivated
Wire protector	Tin plated tin bronze
Spring	Stainless steel strip

Approvals

	Current [A]	Voltage [V]	Group	AWG	[Nm]
	6	300	B,D	20 - 14	0,4 [1]
	6	300	B,D,E	26 - 12	0,4 [1]

[1] When mounted on a suitable insulated surface, on standoffs or equivalent means.

Options / Accessories

- Marking options on the screw guides
- Marking strips BST-302
- Jumper 302-J
- Moulding made of special polyamide for e.g. household appliances