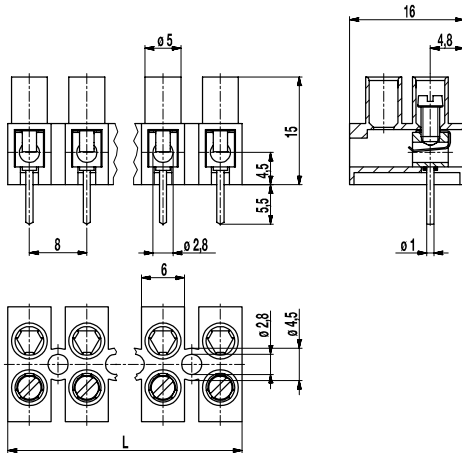
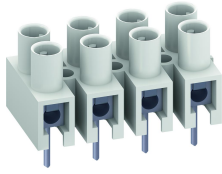


302-G(-DS)

Socket terminal strip
Screw connection, with solder pin



The socket terminal strip 302-G is one of our smallest socket terminal strips. It is available in 8 mm pitch with 2- to 12-pole design and can be easily stripped to the desired number of poles.

The flexible polyamide moulding can even be mounted on curved surfaces.

This version features reliable contact protection and long clearance and creepage distances. The captive screws are vibration-proof and secured against self-loosening. In addition to be soldered in with solder pins, the terminal strips can be screw-mounted onto the PCB.

The wire protector of the "DS"-version reliably prevents damage to multi-wire flexible conductors by the turning screw.

The terminal lead insertion depth is not limited.

Part Numbers

No. of poles	302-G	302-G-DS	Length	PU
2	12.820.010	32.820.010	15,00	250
3	13.820.010	33.820.010	23,00	250
4	14.820.010	34.820.010	31,00	250
5	15.820.010	35.820.010	39,00	80
6	16.820.010	36.820.010	47,00	80
7	17.820.010	37.820.010	55,00	50
8	18.820.010	38.820.010	63,00	50
9	19.820.010	39.820.010	71,00	50
10	20.820.010	40.820.010	79,00	50
11	21.820.010	41.820.010	87,00	40
12	22.820.010	42.820.010	94,00	40

General Information

Pitch	8 mm
No. of poles	2 - 12


Technical Data

Clamping Range	<i>solid / flexible / AWG</i>		
<i>without wire protector</i>	0,75 - 4 mm ² / 0,75 - 2,5 mm ² / 18 - 12 AWG		
<i>with wire protector</i>	0,34 - 2,5 mm ² / 0,34 - 2,5 mm ² / 22 - 14 AWG		
Rated Cross Section	1,5 mm ²		
Wire Stripping Length	8 mm ± 0,5 mm		
Overvoltage Category	III	III	II
Pollution Severity Level	3	2	2
Rated Voltage	630 V	630 V	1000 V
Rated Impulse Voltage	6 kV	6 kV	6 kV
Rated Insulation Voltage	450 V acc. to EN 60998-1		
Rated Current	15 A		
Torque	0,4 Nm		

Material

Moulding	PA, white, V-0
Comparative Tracking Index	CTI ≥ 600
Insulating Group	I
Temperature Range	-40°C up to 100°C
Terminal Body	Tin plated brass
Screw	M2,6; zinc plated steel, blue passivated
Solder pin	ø 1 mm; tin plated copper
Wire protector	Tin plated tin bronze

Approvals

	Current [A]	Voltage [V]	Group	AWG	[Nm]
	15	300	B	26 - 14	0,4
	10	300	D,E	26 - 14	0,4

Options / Accessories

- Marking strips BST-302
- Jumper 302-J
- Longer solder pins up to 75 mm