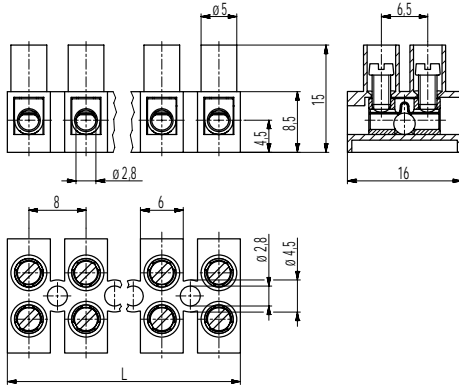
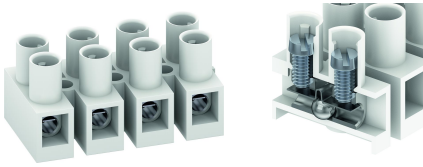


302-HDS/..V0-BUK

Socket terminal strip

Screw connection, with push-through protection



Part Numbers: "no flame" acc. to glow-wire test

No. of poles	302-HDS/..V0-BUK	Length	PU
2	72.820.051.EN6	15,00	2000
3	73.820.051.EN6	23,00	1000
6	76.820.051.EN6	47,00	100
7	77.820.051.EN6	55,00	70
8	78.820.051.EN6	63,00	70
9	79.820.051.EN6	71,00	60
12	22.820.051.EN6	94,00	50

further number of poles on request

General Information

Pitch	8 mm
No. of poles	1 - 12
Areas of application	For lighting applications and similar electrical equipment.




Technical Data

Clamping Range	<i>solid / flexible / AWG</i>		
<i>with wire protector</i>	0,5 - 2,5 mm ² / 0,5 - 2,5 mm ² / 20 - 12 AWG		
Rated Cross Section	1,5 mm ²		
Wire Stripping Length	4 mm ± 0,5 mm		
Overvoltage Category	III	III	II
Pollution Severity Level	3	2	2
Rated Voltage	320 V	320 V	630 V
Rated Impulse Voltage	4 kV	4 kV	4 kV
Rated Insulation Voltage	450 V acc. to EN 60998-1		
Rated Current	17,5 A		
Torque	0,4 Nm		

Material

Moulding	PA, white, V-0
Comparative Tracking Index	CTI ≥ 600
Insulating Group	I
Temperature Range	-40°C up to 100°C
Terminal Body	Nickel plated brass
Screw	M2,6; zinc plated steel, blue passivated
Wire protector	Stainless steel strip

Approvals

	Current [A]	Voltage [V]	Group	AWG	[Nm]
	20	300	B	20 - 12 [1]	0,4
	10	300	D	20 - 12 [1]	0,4
	20	300	B	26 - 14 [1]	0,4
	Current [A]	Voltage [V]	[mm ²]		
	17,5	450	1,5		

[1] Multiple wiring rating of 2 No. 18 AWG Cu sol/str for field and factory wiring. Solid and stranded wires are not intermixed.

Options / Accessories

- Consecutive numbering
- Special marking accord. drawing
- Self-adhesive marking strip
- Screws made out of brass
- With pegs at the base for saving assembly time
- Up to 26 poles possible