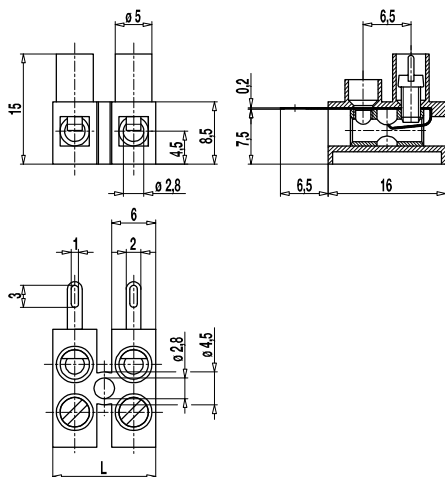
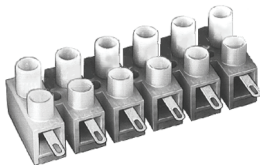


Screw/Solder Terminal Strip

302-LF-DS

Screw/Solder tag connection



With the small pole spacing of 8 mm, the 302-LF-DS are particularly well suited to applications where space is at a premium.

At the screw side the solder tabs are formed as wire protectors. The screws are protected against working loose and cannot be lost. They are backed out and ready for wiring.

These strips can be combined with the plug-in terminal strips 302-SV. The male plugs are inserted at the screw side and screwed tight.

Part Numbers

No. of poles	302-LF-DS	Length	Pcs
2	36.820.029	15,00	500
3	37.820.029	23,00	200
4	38.820.029	31,00	100
5	39.820.029	39,00	100
6	40.820.029	47,00	80
7	41.820.029	55,00	60
8	42.820.029	63,00	60
12	46.820.029	94,00	40

further number of poles on request

General Information

Centre to centre spacing	8 mm
No. of poles	1 - 12
Usable with	302-SV(-DS)



Technical Data

Clamping Range	<i>solid / flexible / AWG</i> 0,75 - 2,5 mm ² / 0,75 - 1,5 mm ² / 18 - 16 AWG
Rated Cross Section	1,5 mm ²
Wire Stripping Length	5 mm
Rated Voltage	400 V acc. EN 60664-1 pollution degree 2
Rated Impulse Voltage	4 kV
Rated Insulation Voltage	450 V acc. to EN 60998-1
Rated Current	6 A
Torque	0,4 Nm

Material

Moulding	PA, natural, V-2
Comparative Tracking Index	CTI ≥ 600
Insulating Group	I
Temperature Range	-40°C up to 80°C
Terminal Body	Tin plated brass
Screw	M2,6; zinc plated steel, blue passivated
Wire protector	Tin plated copper alloy

Approvals

	Current	Voltage	Group	AWG	Nm
	6	300	B,D	20 - 14	0,4
	10	300	B,D,E	26 - 14	0,4

Options / Accessories

- Marking strips and labels
- Jumper 302-J
- Insulating sleeves ISO 110
- Screws made of brass
- Moulding made of special Polyamide
- Up to 26 poles
- With pegs at the base for saving assembly time