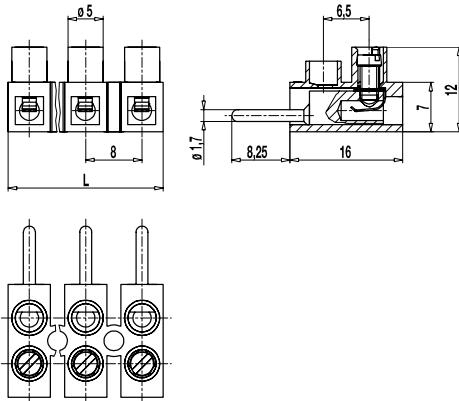
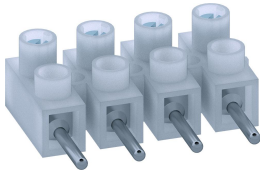


302-NSV(-DS)

Plug-in terminal strip
Screw connection & pin, low profile version



The plug-in terminal strip 302-NSV, lower version, is available in 8 mm pitch with 2 to 12 poles.

It has one screw connection per pole and one vertical pin for the connection to the socket of the female counterpart.

The "N"-variant only differs from the standard 302-SV version by the 12 mm overall height (i.e. the moulding height is 3 mm lower). Note the shortened clearance and creepage distances.

The wire protector of the "DS"-version reliably prevents damage to multi-wire flexible conductors by the turning screw.

These terminal strips can be screw-mounted on a substrate.

Part Numbers

No. of poles	302-NSV	302-NSV-DS	Length	PU
2	32.820.045	72.820.045	15,00	250
3	33.820.045	73.820.045	23,00	250
4	34.820.045	74.820.045	31,00	200
5	35.820.045	75.820.045	39,00	100
6	36.820.045	76.820.045	47,00	80
7	37.820.045	77.820.045	55,00	80
8	38.820.045	78.820.045	63,00	80
9	39.820.045	79.820.045	71,00	60
10	40.820.045	80.820.045	79,00	50
11	41.820.045	81.820.045	87,00	50
12	42.820.045	82.820.045	94,00	40

General Information

Pitch	8 mm
No. of poles	2 - 12
Usable with	302-NFB(-DS), 302-NFLW-DS
Areas of application	Applications that require to easily open and close not energised circuits.



Technical Data

Clamping Range	<i>solid / flexible / AWG</i>
<i>without wire protector</i>	0,5 - 4 mm ² / 0,5 - 2,5 mm ² / 20 - 12 AWG
<i>with wire protector</i>	0,34 - 2,5 mm ² / 0,34 - 1,5 mm ² / 22 - 14 AWG
Rated Cross Section	1,5 mm ²
Wire Stripping Length	5 mm ± 0,5 mm
Rated Voltage	
Overvoltage Category	III III II
Pollution Severity Level	3 2 2
Rated Voltage	160 V (40V) 160 V (100V) 320 V (160V)
Rated Impulse Voltage	2,5 kV (1,5kV) 2,5 kV (1,5kV) 2,5 kV (1,5kV)
Rated Insulation Voltage	250 V acc. to EN 60998-1
Rated Current	6 A
Torque	0,4 Nm
Other specifications	Rated values apply to use in combination with 302-NFB(-DS). Values in parentheses apply to use without insulated substrates.

Material

Moulding	PA, natural, V-2
Comparative Tracking Index	CTI ≥ 600
Insulating Group	I
Temperature Range	-40°C up to 100°C
Terminal Body	Tin plated brass
Screw	M2,6; zinc plated steel, blue passivated
Wire protector	Tin plated tin bronze
Plug	Tin plated brass

Approvals

	Current [A]	Voltage [V]	Group	AWG	[Nm]
	10	300	B,D	22 - 14	0,4 [2]
	10	300	B,D,E	26 - 12	0,4 [1][2]

Options / Accessories

- Marking options on the screw guides
- Jumper 302-J

[1] for 302-NSV-DS: 26 - 14 AWG

[2] When mounted on a suitable insulated surface, on standoffs or equivalent means.