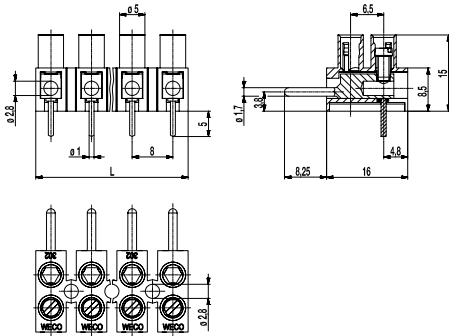
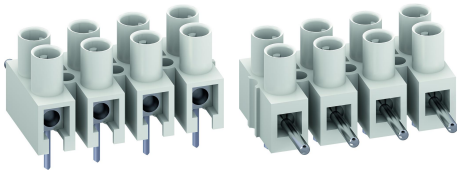


302-SVG

Plug-in terminal strip
Screw connection & pin, with solder pin



The plug-in terminal strip 302-SVG is equipped with a solder pin and designed for the use on PCBs. Due to the small 8 mm pitch, this design is well suited for applications where space is limited.

The flexible polyamide moulding can even be mounted on curved surfaces.

Used in combination with a plug-in terminal strip 302-FB plug-in terminal strip, the contact pressure is applied by a stainless-steel spring. Plug-in direction is parallel to each other. The wire entrance is located in plug direction.

The combination with 302-FLW-DS creates an angular plug connection which is well suited of resolving even challenging mounting conditions. The angular plug-in connector type 302-FLW-DS has a contact spring which forms a unit with the wire protector.

The direction of insertion is in a 90° angle. The wire entrance is perpendicular to the direction of insertion.

In plugged condition, all metal components are protected against accidental contact, except for the solder pins. The screws are captive, vibration-proof and secured against self-loosening. The strips have fixing holes to attach the screws between the poles.

The plug-in connector can be used as three-way contact.

Part Numbers

No. of poles	302-SVG	Length	PU
2	60.820.030	15,00	250
3	61.820.030	23,00	100
4	62.820.030	31,00	250
5	63.820.030	39,00	80
6	64.820.030	47,00	80
7	65.820.030	55,00	50
8	66.820.030	63,00	50
9	67.820.030	71,00	50
10	68.820.030	79,00	40
11	69.820.030	87,00	40
12	70.820.030	94,00	40

General Information

Pitch	8 mm
No. of poles	2 - 12
Usable with	302-FB, 302-FLW-DS


Technical Data

Clamping Range	<i>solid / flexible / AWG</i>		
	0,34 - 2,5 mm ² / 0,34 - 2,5 mm ² / 22 - 14 AWG		
Rated Cross Section	1,5 mm ²		
Wire Stripping Length	5 mm ± 0,5 mm		
Overvoltage Category	III	III	II
Pollution Severity Level	3	2	2
Rated Voltage	400 V	630 V	1000 V
Rated Impulse Voltage	6 kV	6 kV	6 kV
Rated Insulation Voltage	450 V acc. to EN 60998-1		
Rated Current	6 A		
Hole in PCB	ø 1,3 mm		
Other specifications	Rated values apply to use in combination with 302-FB(-DS) or 302-FLW-DS.		

Material

Moulding	PA, white, V-0
Comparative Tracking Index	CTI ≥ 600
Insulating Group	I
Temperature Range	-40°C up to 100°C
Terminal Body	Tin plated brass
Screw	M2,6; zinc plated steel, blue passivated
Solder pin	ø 1 mm; tin plated copper
Plug	Tin plated brass

Approvals

	Current [A]	Voltage [V]	Group	AWG	[Nm]
	10	300	B,D,E	26 - 12	0,4 [1]

[1] in combination with 302-FB

Options / Accessories

- Marking strips BST-302
- Longer solder pins up to 75 mm