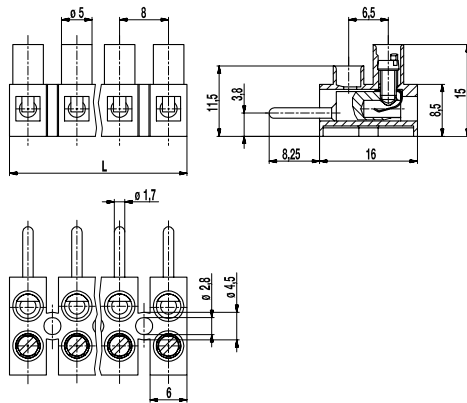
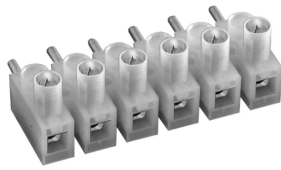


## 302-SV(-DS)

Plug-in terminal strip  
Screw connection & pin



The plug-in terminal strip 302-SV is available in 8 mm pitch with 1 to 12 poles. It has one screw connection per pole and one vertical pin for the connection to the socket of the female counterpart.

In combination with the plug-in terminal strip 302-FB, this connector provides the contact pressure via a stainless steel spring which ensures good electrical contact. Plug-in direction is parallel to each other.

In combination with the plug-in terminal strip 302-FBG, this connector can be used especially on a printed circuit board.

Plug-in terminal strips 302-SV or 302-SVG create a plug connection where the connection leads are located in a 90° angle to each other. That way, challenges of limited mounting space can be resolved. Due to the small 8 mm pitch, this version is well suited for applications where space is limited.

The wire protector of the "DS"-version reliably prevents damage to multi-wire flexible conductors by the turning screw. These terminals strips can be screw-mounted on a substrate.

### Part Numbers

No. of poles	302-SV	302-SV-DS	Length	PU
2	60.820.029	48.820.029	15,00	250
3	61.820.029	49.820.029	23,00	250
4	62.820.029	50.820.029	31,00	250
5	63.820.029	51.820.029	39,00	80
6	64.820.029	52.820.029	47,00	80
7	65.820.029	53.820.029	55,00	50
8	66.820.029	54.820.029	63,00	50
9	67.820.029	55.820.029	71,00	50
10	68.820.029	56.820.029	79,00	40
11	69.820.029	57.820.029	87,00	40
12	70.820.029	58.820.029	94,00	40

### General Information

Pitch	8 mm
No. of poles	2 - 12
Usable with	302-FB(-DS), 302-FBG, 302-FLW-DS
Areas of application	Applications that require to easily open and close not energised circuits.



### Technical Data

Clamping Range	<i>solid / flexible / AWG</i>
<i>without wire protector</i>	0,5 - 4 mm <sup>2</sup> / 0,5 - 2,5 mm <sup>2</sup> / 20 - 12 AWG
<i>with wire protector</i>	0,34 - 2,5 mm <sup>2</sup> / 0,34 - 1,5 mm <sup>2</sup> / 22 - 14 AWG
Rated Cross Section	1,5 mm <sup>2</sup>
Wire Stripping Length	5 mm ± 0,5 mm
Overvoltage Category	III III II
Pollution Severity Level	3 2 2
Rated Voltage	160 V 160 V 320 V
Rated Impulse Voltage	2,5 kV 2,5 kV 2,5 kV
Rated Insulation Voltage	130 V acc. to EN 60998-1
Rated Current	6 A
Torque	0,4 Nm
Other specifications	Rated values apply to use in combination with 302-FB(-DS) and without insulated substrates.

### Material

Moulding	PA, natural, V-2
Comparative Tracking Index	CTI ≥ 600
Insulating Group	I
Temperature Range	-40°C up to 100°C
Terminal Body	Tin plated brass
Screw	M2,6; zinc plated steel, blue passivated
Wire protector	Tin plated tin bronze
Plug	Tin plated brass

### Approvals

	Current [A]	Voltage [V]	Group	AWG	[Nm]
	6	300	B,C,D	20 - 14	0,4 [2]
	10	300	B,D,E	26 - 12	0,4 [1][2]

[1] for 302-SV-DS: 26 - 14 AWG

[2] When mounted on a suitable insulated surface, on standoffs or equivalent means.

### Options / Accessories

- Marking options on the screw guides
- Jumper 302-J
- Moulding made of special polyamide for e.g. household appliances