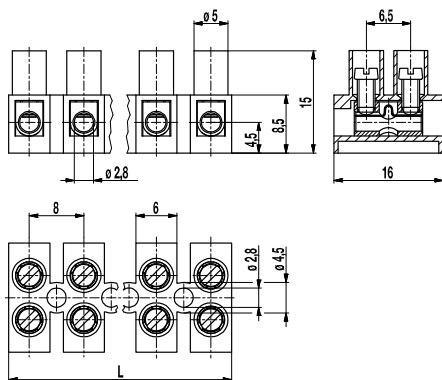
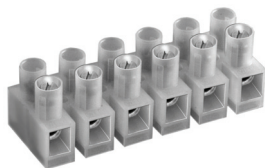


Socket terminal strip

302(-HDS)

Screw connection



The socket terminal strip 302 is one of our smallest socket terminal strips. It has a pitch of 8 mm and is available in 1- to 12-pole design.

Part Numbers

| No. of poles | 302 | 302-HDS | Length | Pcs |
|--------------|------------|------------|--------|------|
| 1 | 11.820.007 | 31.820.008 | 7,00 | 5000 |
| 2 | 12.820.007 | 32.820.008 | 15,00 | 2000 |
| 3 | 13.820.007 | 33.820.008 | 23,00 | 1000 |
| 4 | 14.820.007 | 34.820.008 | 31,00 | 1000 |
| 5 | 15.820.007 | 35.820.008 | 39,00 | 1000 |
| 6 | 16.820.007 | 36.820.008 | 47,00 | 100 |
| 7 | 17.820.007 | 37.820.008 | 55,00 | 70 |
| 8 | 18.820.007 | 38.820.008 | 63,00 | 70 |
| 9 | 19.820.007 | 39.820.008 | 71,00 | 60 |
| 10 | 20.820.007 | 40.820.008 | 79,00 | 50 |
| 11 | 21.820.007 | 41.820.008 | 87,00 | 50 |
| 12 | 22.820.007 | 42.820.008 | 94,00 | 50 |

further number of poles on request

Part numbers: "no flame" acc. to glow-wire test

| No. of poles | 302 | 302-HDS | Length | Pcs |
|--------------|----------------|----------------|--------|------|
| 2 | 12.820.051.EN6 | 32.820.051.EN6 | 15,00 | 2000 |
| 3 | | 33.820.051.EN6 | 23,00 | 1000 |
| 4 | | 34.820.051.EN6 | 31,00 | 1000 |
| 6 | | 36.820.051.EN6 | 47,00 | 100 |
| 8 | | 38.820.051.EN6 | 63,00 | 70 |
| 9 | | 39.820.051.EN6 | 71,00 | 60 |
| 12 | 22.820.051.EN6 | 42.820.051.EN6 | 94,00 | 50 |

further number of poles on request

General Information

| | |
|----------------------|--|
| Pitch | 8 mm |
| No. of poles | 1 - 12 |
| Areas of application | For lighting and similar electrical appliances |

Technical Data

| | | | |
|-------------------------------|---|-------|-------|
| Clamping Range | <i>solid / flexible / AWG</i> | | |
| <i>without wire protector</i> | 0,5 - 4 mm ² / 0,5 - 2,5 mm ² / 20 - 12 AWG | | |
| <i>with wire protector</i> | 0,34 - 2,5 mm ² / 0,34 - 2,5 mm ² / 22 - 14 AWG | | |
| Rated Cross Section | 1,5 mm ² | | |
| Wire Stripping Length | 5 mm ± 0,5 mm | | |
| Overvoltage Category | III | III | II |
| Pollution Severity Level | 3 | 2 | 2 |
| Rated Voltage | 320 V | 320 V | 630 V |
| Rated Impulse Voltage | 4 kV | 4 kV | 4 kV |
| Rated Insulation Voltage | 450 V acc. to EN 60998-1 | | |
| Rated Current | 17,5 A | | |
| Torque | 0,4 Nm | | |

Material

| | |
|----------------------------|--|
| Moulding | PA, natural, V-2 (PA, natural, V-0) details in brackets for "no flame" products |
| Comparative Tracking Index | CTI ≥ 600 |
| Insulating Group | I |
| Temperature Range | -40°C up to 80°C |
| Terminal Body | Nickel plated brass |
| Screw | M2,6; zinc plated steel, blue passivated |
| Wire protector | Stainless steel strip |

Approvals

| | Current | Voltage | Group | AWG | Nm |
|-------|---------|---------|-----------------|---------|---------|
| | 20 | 300 | B | 20 - 12 | 0,4 |
| | 10 | 300 | D | 20 - 12 | 0,4 |
| | 20 | 300 | B | 26 - 12 | 0,4 [1] |
| | 10 | 300 | D,E | 26 - 12 | 0,4 [1] |
| <hr/> | | | | | |
| | Current | Voltage | mm ² | | |
| | 17,5 | 450 | 1,5 | | |

[1] for 302-HDS

Options / Accessories

- Marking options on the screw guides
- Marking strips BST-302
- Jumpers 302-J
- Moulding made of special polyamide for e.g. household appliances
- Screws made out of brass
- With pegs at the base for saving assembly time
- Up to 26 poles possible
- Socket with blind hole