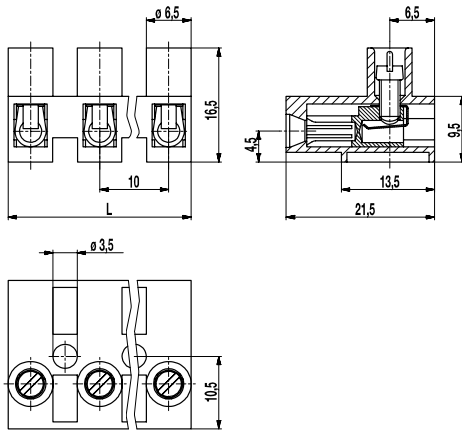
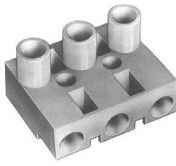


321-B(-DS)

Plug-in terminal strip
Screw connection & socket



The plug-in terminal strip 321-B is available in 10 mm pitch with 1 to 12 poles. It has one screw connection per pole and one plug connection for a terminal strip with pins.

The special moulding houses a spring-loaded terminal body with six slots and is protected against accidental contact. A funnel guides the solid male plug 321-S. This combination provides permanent annular contact.

The wire protector of the "DS"-version reliably prevents damage to multi-wire flexible conductors by the turning screw. These terminals strips can be screw-mounted on a substrate.

Part Numbers

No. of poles	321-B	321-B-DS	Length	PU
2	12.821.006	32.821.006	18,00	1000
3	13.821.006	33.821.006	28,00	1000
4	14.821.006	34.821.006	38,00	500
5	15.821.006	35.821.006	48,00	500
6	16.821.006	36.821.006	58,00	100
7	17.821.006	37.821.006	68,00	100
8	18.821.006	38.821.006	78,00	80
9	19.821.006	39.821.006	88,00	80
10	20.821.006	40.821.006	98,00	50
11	21.821.006	41.821.006	108,00	50
12	22.821.006	42.821.006	117,00	50

General Information

Pitch	10 mm
No. of poles	2 - 12
Usable with	321-S(-DS)
Areas of application	Applications that require to easily open and close not energised circuits.



Technical Data

Clamping Range	<i>solid / flexible / AWG</i>		
<i>without wire protector</i>	0,75 - 6 mm ² / 0,75 - 4 mm ² / 18 - 12 AWG		
<i>with wire protector</i>	0,5 - 4 mm ² / 0,5 - 2,5 mm ² / 20 - 12 AWG		
Rated Cross Section	2,5 mm ²		
Wire Stripping Length	6 mm ± 0,5 mm		
Overvoltage Category	III	III	II
Pollution Severity Level	3	2	2
Rated Voltage	320 V	320 V	630 V
Rated Impulse Voltage	4 kV	4 kV	4 kV
Rated Insulation Voltage	450 V acc. to EN 60998-1 [1]		
Rated Current	16 A		
Torque	0,5 Nm		
Other specifications	Rated values apply to use in combination with 321-S(-DS) and insulated substrates.		

Material

Moulding	PA, natural, V-2
Comparative Tracking Index	CTI ≥ 600
Insulating Group	I
Temperature Range	-40°C up to 100°C
Terminal Body	Nickel plated brass
Screw	M3; zinc plated steel, blue passivated
Wire protector	Tin plated tin bronze

Approvals

	Current [A]	Voltage [V]	Group	AWG	[Nm]
	20	300	B	18 - 12	0,51
	15	300	B	26 - 10	0,51 [2]
	10	300	D,E	26 - 10	0,51 [2]

Options / Accessories

- Marking options on the screw guides

[1] with insulating base

[2] for 321-B-DS: 26 - 12 AWG