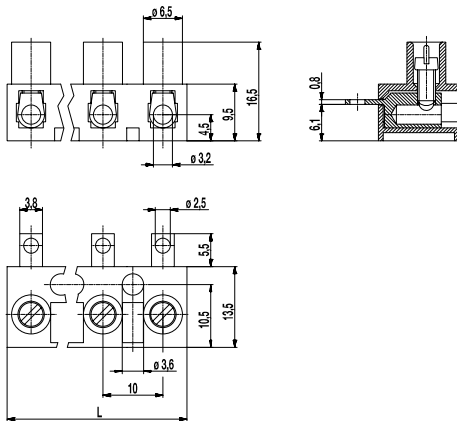
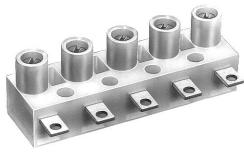


321-LFS(-DS)

Screw/solder terminal strip

Screw/solder tag connection, side of solder tag closed, pottable



The screw/solder terminal strip 321-LFS in 10 mm pitch was designed for larger cross-sections than version 302-LF-DS. It is available with 1 to 12 poles.

Mouldings of this type are encapsulated on the solder tag side and therefore particularly well suited for potting.

Socket and solder tag are manufactured in one piece.

The screws are ready to be wired, secured against self-loosening and captive.

These strips can be combined with plug-in terminal strip 322-SV by plugging the pins into the sockets and screwing them tight.

The wire protector of the "DS"-version reliably prevents damage to multi-wire flexible conductors by the turning screw.

These terminal strips can be screw-mounted on a substrate.

Part Numbers

No. of poles	321-LFS	321-LFS-DS	Length	PU
1	11.821.020	31.821.020	8,00	3000
2	12.821.020	32.821.020	18,00	1000
3	13.821.020	33.821.020	28,00	200
4	14.821.020	34.821.020	38,00	200
5	15.821.020	35.821.020	48,00	100
6	16.821.020	36.821.020	58,00	100
7	17.821.020	37.821.020	68,00	70
8	18.821.020	38.821.020	78,00	70
9	19.821.020	39.821.020	88,00	60
10	20.821.020	40.821.020	98,00	50
11	21.821.020	41.821.020	108,00	50
12	22.821.020	42.821.020	117,00	50

further number of poles on request

General Information

Pitch	10 mm
No. of poles	1 - 12


Technical Data

Clamping Range	<i>solid / flexible / AWG</i>		
<i>without wire protector</i>	0,75 - 6 mm ² / 0,75 - 4 mm ² / 18 - 12 AWG		
<i>with wire protector</i>	0,5 - 4 mm ² / 0,5 - 2,5 mm ² / 20 - 12 AWG		
Rated Cross Section	2,5 mm ²		
Wire Stripping Length	7 mm ± 0,5 mm		
Overvoltage Category	III	III	II
Pollution Severity Level	3	2	2
Rated Voltage	400 V	630 V	1000 V
Rated Impulse Voltage	6 kV	6 kV	6 kV
Rated Insulation Voltage	450 V acc. to EN 60998-1		
Rated Current	26 A		
Torque	0,5 Nm		

Material

Moulding	PA, natural, V-2
Comparative Tracking Index	CTI ≥ 600
Insulating Group	I
Temperature Range	-40°C up to 100°C
Terminal Body	Tin plated brass
Screw	M3; zinc plated steel, blue passivated
Wire protector	Tin plated tin bronze

Approvals

	Current [A]	Voltage [V]	Group	AWG	[Nm]
	20	300	B	26-10 [1]	0,51
	10	300	D,E	26-10 [1]	0,51

[1] for 321-LFS-DS: 26-12 AWG

Options / Accessories

- Marking options on the screw guides
- Cover caps A-323 und base plate B-323 for additional contact protection
- Insulation receptacles ISO-110
- Moulding made of special polyamide for e.g. household appliances
- Up to 16 poles possible