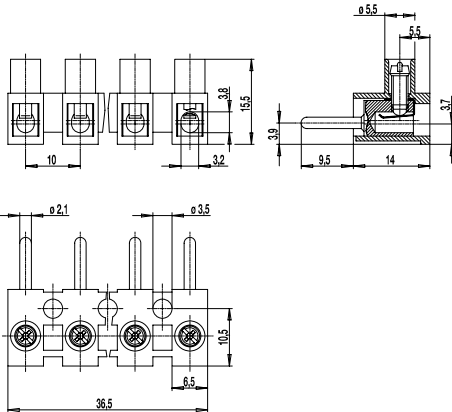
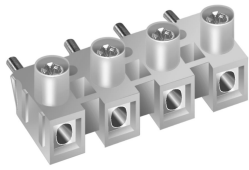


322-D-SV(-DS)

Plug-in terminal strip
Screw connection, large conductor space



The 322-D-SV is based on our established plug-in terminal strip 322-SV. The clamping space is enlarged for 2x2,5 mm² solid wire without wire protector or 2x1,5 mm² with wire protector. Therefore, this version is most suitable when connections of two wires per pole are required.

With the exception of the clamping system, the measurements conform to the standard design.

The screws have a slotted, as well as a cross slot (plus-minus screw)

In combination with the plug-in terminal strip 323-FB, this connector provides the contact pressure via a stainless steel spring which ensures good electrical contact. Plug-in direction is parallel to each other.

The wire protector of the "DS"-version reliably prevents damage to multi-wire flexible conductors by the turning screw.

These terminal strips can be screw-mounted on a substrate.

Part Numbers

No. of poles	322-D-SV	322-D-SV-DS	Length	PU
2	12.821.036	32.821.036	16,50	1000
3	13.821.036	33.821.036	26,50	1000
4	14.821.036	34.821.036	36,50	800
5	15.821.036	35.821.036	46,50	500
6	16.821.036	36.821.036	56,50	100
8	18.821.036	38.821.036	76,50	70
10	20.821.036	40.821.036	96,50	50
12	22.821.036	42.821.036	116,50	50

further number of poles on request

General Information

Pitch	10 mm
No. of poles	2 - 12
Usable with	323-FB(-HDS)
Areas of application	Power supply units

Technical Data

Clamping Range	<i>solid / flexible / AWG</i>		
<i>without wire protector</i>	1 - 2x2,5 mm ² / 1 - 2x1,5 mm ² / 2x16 AWG		
<i>with wire protector</i>	0,75 - 2x1,5 mm ² / 0,75 - 2x1,5 mm ² / 2x16 AWG		
Rated Cross Section	2 x 2,5 mm ²		
Wire Stripping Length	7 mm ± 0,5 mm		
Overvoltage Category	III	III	II
Pollution Severity Level	3	2	2
Rated Voltage	500 V (160V)	630 V (160V)	1000 V (320V)
Rated Impulse Voltage	6 kV (2,5 kV)	6 kV (2,5 kV)	6 kV (2,5 kV)
Rated Insulation Voltage	750 V acc. to EN 60998-1 [1]		
Rated Current	16 A, with ambient temperature up to 30°C		
Torque	0,5 Nm		
Other specifications	Rated values apply to use in combination with 323-FB(-HDS). Values in parentheses apply to use without insulated substrates.		

Material

Moulding	PA, natural, V-2
Comparative Tracking Index	CTI ≥ 600
Insulating Group	I
Temperature Range	-40°C up to 100°C
Terminal Body	Tin plated brass
Screw	M3; zinc plated steel, blue passivated
Wire protector	Tin plated tin bronze
Plug	Tin plated brass

Options / Accessories

- Marking options on and between the screw guides
- Jumper 323-J

[1] with insulating base