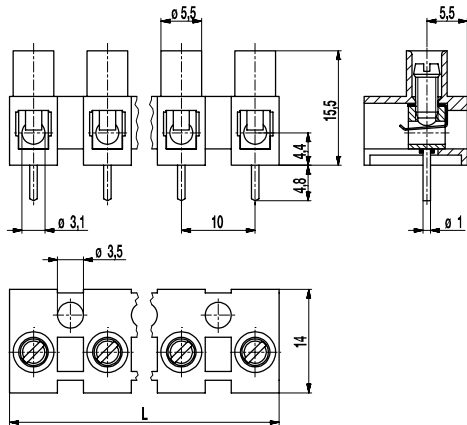
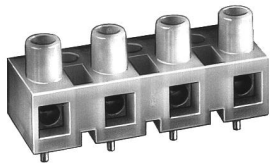


322-G(-DS)

Socket terminal strip
Screw connection, with solder pin



The socket terminal strip 322-G is available in 10 mm pitch with 1- to 12-pole design and can be easily stripped to the desired number of poles. The flexible polyamide moulding can even be mounted on curved surfaces.

Due to large pitch and moulding shape, this version is also well suited for applications using higher voltages. The 322-G version features reliable contact protection and long clearance and creepage distances. The captive screws are vibration-proof and secured against self-loosening. In addition to be soldered in with solder pins, the terminal strips can be screw-mounted onto the PCB.

The wire protector of the "DS"-version reliably prevents damage to multi-wire flexible conductors by the turning screw. The terminal lead insertion depth is not limited.

Part Numbers

No. of poles	322-G	322-G-DS	Length	PU
2	12.821.003	32.821.003	17,00	250
3	13.821.003	33.821.003	27,00	250
4	14.821.003	34.821.003	37,00	200
5	15.821.003	35.821.003	47,00	100
6	16.821.003	36.821.003	57,00	100
7	17.821.003	37.821.003	67,00	50
8	18.821.003	38.821.003	77,00	50
9	19.821.003	39.821.003	87,00	50
10	20.821.003	40.821.003	97,00	50
11	21.821.003	41.821.003	107,00	50
12	22.821.003	42.821.003	117,00	50

General Information

Pitch	10 mm
No. of poles	2 - 12



Technical Data

Clamping Range	<i>solid / flexible / AWG</i>		
<i>without wire protector</i>	1 - 6 mm ² / 1 - 2,5 mm ² / 16 - 12 AWG		
<i>with wire protector</i>	0,75 - 4 mm ² / 0,75 - 2,5 mm ² / 18 - 12 AWG		
Rated Cross Section	2,5 mm ²		
Wire Stripping Length	8 mm ± 0,5 mm		
Overvoltage Category	III	III	II
Pollution Severity Level	3	2	2
Rated Voltage	1000 V	1000 V	1000 V
Rated Impulse Voltage	8 kV	8 kV	6 kV
Rated Insulation Voltage	750 V acc. to EN 60998-1		
Rated Current	15 A		
Torque	0,5 Nm		

Material

Moulding	PA, natural, V-2
Comparative Tracking Index	CTI ≥ 600
Insulating Group	I
Temperature Range	-40°C up to 100°C
Terminal Body	Tin plated brass
Screw	M3, zinc plated steel, blue passivated
Solder pin	∅ 1 mm; tin plated copper
Wire protector	Tin plated tin bronze

Approvals

	Current [A]	Voltage [V]	Group	AWG	[Nm]
	20	300	B	18 - 12	0,51
	20	300	B	26-10 [1]	0,51
	10	300	D,E	26-10 [1]	0,51

[1] for 322-G-DS: 26 - 12 AWG

Options / Accessories

- Marking strips BST-322
- Jumper 322-J
- Longer solder pins up to 75 mm
- Large conductor space up to 4 mm²