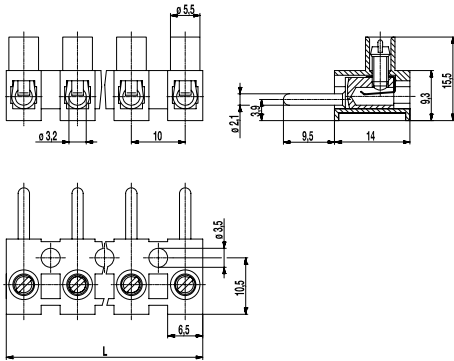
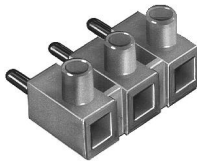


322-SV(-DS)

Plug-in terminal strip
Screw connection & pin



The plug-in terminal strip 322-SV is available in 10 mm pitch with 2 to 12 poles. It has one screw connection per pole and one vertical pin for the connection to the socket of the female counterpart.

When used in combination with a plug-in terminal strip 323-FB plug-in terminal strip, the contact pressure is applied by a stainless-steel spring thus providing excellent electrical contact. The plugging direction is parallel to each other.

The wire protector of the "DS"-version reliably prevents damage to multi-wire flexible conductors by the turning screw. These terminals strips can be screw-mounted on a substrate.

Part Numbers

No. of poles	322-SV	322-SV-DS	Length	PU
2	72.821.012	12.821.012	18,00	1000
3	73.821.012	13.821.012	28,00	1000
4	74.821.012	14.821.012	38,00	800
5	75.821.012	15.821.012	48,00	500
6	76.821.012	16.821.012	58,00	100
7	77.821.012	17.821.012	68,00	70
8	78.821.012	18.821.012	78,00	70
9	79.821.012	19.821.012	88,00	60
10	80.821.012	20.821.012	98,00	50
11	81.821.012	21.821.012	108,00	50
12	82.821.012	22.821.012	117,00	50

General Information

Pitch	10 mm
No. of poles	2 - 12
Usable with	323-FB(-HDS)
Areas of application	Applications that require to easily open and close not energised circuits.



Technical Data

Clamping Range	<i>solid / flexible / AWG</i>		
<i>without wire protector</i>	0,5 - 4 mm ² / 0,5 - 2,5 mm ² / 20 - 12 AWG		
<i>with wire protector</i>	0,34 - 2,5 mm ² / 0,34 - 2,5 mm ² / 22 - 14 AWG		
Rated Cross Section	2,5 mm ²		
Wire Stripping Length	7 mm ± 0,5 mm		
Overvoltage Category	III	III	II
Pollution Severity Level	3	2	2
Rated Voltage	400 V	630 V	1000 V
Rated Impulse Voltage	6 kV	6 kV	6 kV
Rated Insulation Voltage	450 V acc. to EN 60998-1 [1]		
Rated Current	15 A		
Torque	0,5 Nm		
Other specifications	Rated values apply to use in combination with 323-FB(-HDS) and insulated substrates.		

Material

Moulding	PA, natural, V-2
Comparative Tracking Index	CTI ≥ 600
Insulating Group	I
Temperature Range	-40°C up to 100°C
Screw	M3, zinc plated steel, blue passivated
Wire protector	Tin plated tin bronze
Plug	Tin plated brass

Approvals

	Current [A]	Voltage [V]	Group	AWG	[Nm]
	20	300	B	18 - 12	0,51
	15	300	B	26 - 10	0,51 [2]
	10	300	D,E	26 - 10	0,51 [2]

Options / Accessories

- Marking options on the screw guides
- Leading plug for the protective conductor pole

[1] with insulating base

[2] for 322-SV-DS: 26-12 AWG