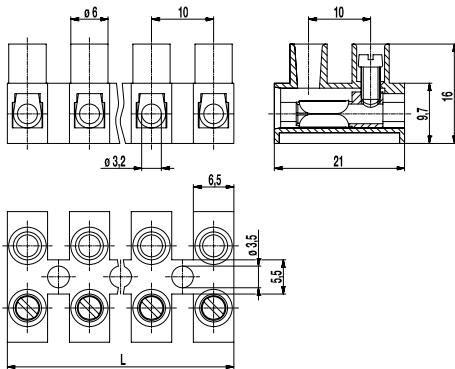
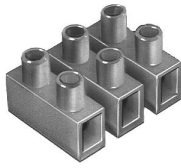


323-STFB(-DS)

Plug-in terminal strip
Screw connection & socket



The plug-in terminal strip 323-STFB is available in 10 mm pitch with 2 to 12 poles. It has one screw connection per pole and one plug connection for a terminal strip with pins.

The cross-slotted socket of this version is jacketed with a spring sleeve which provides good permanent contact to the male 322-STFS.

The wire protector of the "DS"-version reliably prevents damage to multi-wire flexible conductors by the turning screw.

Part Numbers

No. of poles	323-STFB	323-STFB-DS	Length	PU
2	32.822.012	52.822.011	18,00	430
3	33.822.012	53.822.011	28,00	650
4	34.822.012	54.822.011	38,00	870
5	35.822.012	55.822.011	48,00	1080
6	36.822.012	56.822.011	58,00	1300
7	37.822.012	57.822.011	68,00	1500
8	38.822.012	58.822.011	78,00	1700
9	39.822.012	59.822.011	88,00	60
10	40.822.012	60.822.011	98,00	50
11	41.822.012	61.822.011	108,00	50
12	42.822.012	62.822.011	118,00	50

General Information

Pitch	10 mm
No. of poles	2 - 12
Usable with	322-STFS(-DS)
Areas of application	Applications that require to easily open and close not energised circuits.


Technical Data

Clamping Range	<i>solid / flexible / AWG</i>		
<i>without wire protector</i>	0,75 - 6 mm ² / 0,75 - 4 mm ² / 18 - 10 AWG		
<i>with wire protector</i>	0,5 - 4 mm ² / 0,5 - 2,5 mm ² / 20 - 12 AWG		
Rated Cross Section	2,5 mm ²		
Wire Stripping Length	6 mm ± 0,5 mm		
Overvoltage Category	III	III	II
Pollution Severity Level	3	2	2
Rated Voltage	400 V	630 V	630 V
Rated Impulse Voltage	6 kV	6 kV	6 kV
Rated Insulation Voltage	450 acc. to EN 60998-1 [1]		
Rated Current	16 A		
Torque	0,5 Nm		
Other specifications	Rated values apply to use in combination with 322-STFS(-DS) and insulated substrates.		

Material

Moulding	PA, natural, V-2
Comparative Tracking Index	CTI ≥ 600
Insulating Group	I
Temperature Range	-40°C up to 100°C
Terminal Body	Nickel plated brass
Screw	M3; zinc plated steel, blue passivated
Wire protector	Tin plated tin bronze
Spring	Stainless steel strip

Approvals

	Current [A]	Voltage [V]	Group	AWG	[Nm]
	15	300	B	26 - 10	0,51 [2]
	10	300	D,E	26 - 10	0,51 [2]

Options / Accessories

- Marking options on and between the screw guides
- Jumper 323-J
- Leading terminal body for the protective conductor pole

[1] with insulating base

[2] for 323-STFB-DS: 26 - 12 AWG