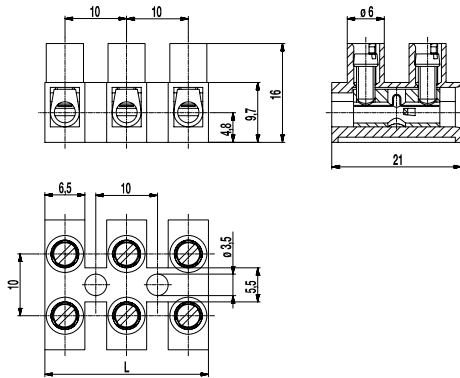
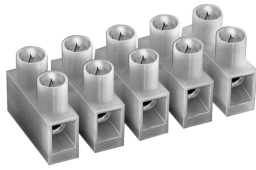


323-V(-HDS)

Socket terminal strip

Screw connection, integrated push-through protection



Socket terminal strip 323-V in pitch 10 mm with integrated push-through protection is available in 1- to 12-pole design and can easily be cut to the desired pole number.

The push-through protection inside the socket prevents inserting the wire too far and thus accidental clamping on the insulation.

The flexible polyamide housing allows mounting on convex surfaces.

The wire protector of the "HDS"-version reliably prevents damage to multi-wire flexible conductors by the turning screw.

Part Numbers

No. of poles	323-V	323-V-HDS	Length	PU
1	11.822.008	61.822.008	8,00	2500
2	12.822.008	62.822.008	18,00	1000
3	13.822.008	63.822.008	28,00	1000
4	14.822.008	64.822.008	38,00	800
5	15.822.008	65.822.008	48,00	500
6	16.822.008	66.822.008	58,00	100
7	17.822.008	67.822.008	68,00	70
8	18.822.008	68.822.008	78,00	70
9	19.822.008	69.822.008	88,00	60
10	20.822.008	70.822.008	98,00	50
11	21.822.008	71.822.008	108,00	50
12	22.822.008	72.822.008	117,00	50

Part Numbers: "no flame" acc. to glow-wire test

No. of poles	323-V	323-V-HDS	Length	PU
1	11.822.008.EN6	61.822.008.EN6	8,00	2500
2	12.822.008.EN6	62.822.008.EN6	18,00	1000
3	13.822.008.EN6	63.822.008.EN6	28,00	1000
4	14.822.008.EN6	64.822.008.EN6	38,00	800
5	15.822.008.EN6	65.822.008.EN6	48,00	500
6	16.822.008.EN6	66.822.008.EN6	58,00	100
7	17.822.008.EN6	67.822.008.EN6	68,00	70
8	18.822.008.EN6	68.822.008.EN6	78,00	70
9	19.822.008.EN6	69.822.008.EN6	88,00	60
10	20.822.008.EN6	70.822.008.EN6	98,00	50
11	21.822.008.EN6	71.822.008.EN6	108,00	50
12	22.822.008.EN6	72.822.008.EN6	117,00	50

General Information

Pitch	10 mm
No. of poles	1 - 12
Areas of application	For lighting applications and similar electrical equipment.




Technical Data

Clamping Range	<i>solid / flexible / AWG</i>		
<i>without wire protector</i>	0,75 - 6 mm ² / 0,75 - 4 mm ² / 18 - 10 AWG		
<i>with wire protector</i>	0,75 - 4 mm ² / 0,75 - 2,5 mm ² / 18 - 12 AWG		
Rated Cross Section	2,5 mm ²		
Wire Stripping Length	5 mm ± 0,5 mm		
Overvoltage Category	III	III	II
Pollution Severity Level	3	2	2
Rated Voltage	400 V	630 V	1000 V
Rated Impulse Voltage	6 kV	6 kV	6 kV
Rated Insulation Voltage	450 V acc. to EN 60998-1		
Rated Current	24 A		
Torque	0,5 Nm		
Other specifications	Push-through protection applies only when using prepared flexible wires		

Material

Moulding	PA, natural, V-2 (PA, white, V-0) Details in brackets for "no flame" products
Comparative Tracking Index	CTI ≥ 600
Insulating Group	I
Temperature Range	-40°C up to 100°C
Terminal Body	Nickel plated brass
Screw	M3; zinc plated steel, blue passivated
Wire protector	Stainless steel strip

Approvals

	Current [A]	Voltage [V]	Group	AWG	[Nm]
	30	300	B	22 - 10	0,51
	10	300	D	22 - 10	0,51
	25	300	B	26 - 10	0,51
	10	300	D,E	26 - 10	0,51
	Current [A]	Voltage [V]	[mm ²]		
	24	450	2,5		

Options / Accessories

- Consecutive numbering
- Special marking accord. drawing
- Self-adhesive marking strip
- Crosshead screws
- Cover caps A-323 und base plate B-323 for additional contact protection