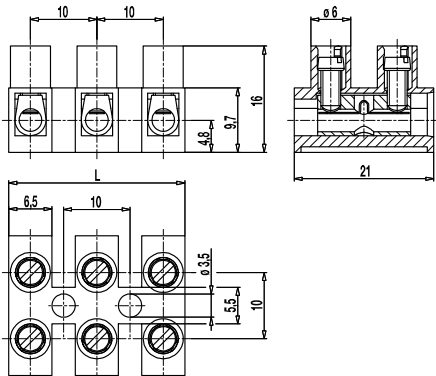


Socket terminal strip

323(-HDS)

Screw connection



Part Numbers

No. of poles	323	323-HDS	Length	Pcs
1	11.822.010	31.822.008	8,00	2500
2	12.822.010	32.822.008	18,00	1000
3	13.822.010	33.822.008	28,00	1000
4	14.822.010	34.822.008	38,00	800
5	15.822.010	35.822.008	48,00	500
6	16.822.010	36.822.008	58,00	100
7	17.822.010	37.822.008	68,00	70
8	18.822.010	38.822.008	78,00	70
9	19.822.010	39.822.008	88,00	60
10	20.822.010	40.822.008	98,00	50
11	21.822.010	41.822.008	108,00	50
12	22.822.010	42.822.008	117,00	50

Part numbers: "no flame" acc. to glow-wire test

No. of poles	323	323-HDS	Length	Pcs
1	11.822.038.EN6	31.822.038.EN6	8,00	2500
2	12.822.038.EN6	32.822.038.EN6	18,00	1000
3	13.822.038.EN6	33.822.038.EN6	28,00	1000
4	14.822.038.EN6	34.822.038.EN6	38,00	800
5	15.822.038.EN6	35.822.038.EN6	48,00	500
6	16.822.038.EN6	36.822.038.EN6	58,00	100
7	17.822.038.EN6	37.822.038.EN6	68,00	70
8	18.822.038.EN6	38.822.038.EN6	78,00	70
9	19.822.038.EN6	39.822.038.EN6	88,00	60
10	20.822.038.EN6	40.822.038.EN6	98,00	50
11	21.822.038.EN6	41.822.038.EN6	108,00	50
12	22.822.038.EN6	42.822.038.EN6	117,00	50

General Information

Pitch	10 mm
No. of poles	1 - 12
Areas of application	For lighting and similar electrical appliances

Technical Data

Clamping Range	<i>solid / flexible / AWG</i>		
<i>without wire protector</i>	1 - 6 mm ² / 1 - 4 mm ² / 18 - 10 AWG		
<i>with wire protector</i>	1 - 4 mm ² / 1 - 2,5 mm ² / 20 - 12 AWG		
Rated Cross Section	2,5 mm ²		
Wire Stripping Length	6,5 mm ± 0,5 mm		
Overvoltage Category	III	III	II
Pollution Severity Level	3	2	2
Rated Voltage	400 V	630 V	1000 V
Rated Impulse Voltage	6 kV	6 kV	6 kV
Rated Insulation Voltage	450 V acc. to EN 60998-1		
Rated Current	24 A		
Torque	0,5 Nm		

Material

Moulding	PA, natural, V-2 (PA, natural, V-0) details in braquets for "no flame" products
Comparative Tracking Index	CTI ≥ 600
Insulating Group	I
Temperature Range	-40°C up to 80°C
Terminal Body	Nickel plated brass
Screw	M3; zinc plated steel, blue passivated
Wire protector	Stainless steel strip

Approvals

	Current	Voltage	Group	AWG	Nm
	30	300	B	22 - 10	0,51
	10	300	D	22 - 10	0,51
	25	300	B	26 - 10	0,51
	10	300	D,E	26 - 10	0,51
	24	450		2,5	

Options / Accessories

- Marking options on and between the screw guides
- Marking strips BST-323
- Jumper 323-J
- Moulding made of special polyamide for e.g. household appliances
- Crosshead screws
- Cover caps A-323 und base plate B-323 for additional contact protection
- Integrated wire stop: please see 323-V(-HDS)