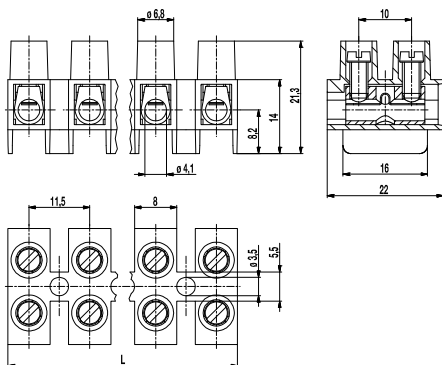


Socket terminal strip

324-FU(-HDS)

Screw connection, with raised base



The socket terminal strip 324-FU with a pitch of 11.5 mm is available in 1- to 12-pole design and can easily be cut into the required number of poles. The raised base of the FU-Type extends the creepage distance to the ground to 12,7 mm which allows 600 V in accordance with CSA without an additional insulating base.

Part Numbers

No. of poles	324-FU	324-FU-HDS	Length	Pcs
1	11.823.013	31.823.013	9,00	3000
2	12.823.013	32.823.013	21,00	1000
3	13.823.013	33.823.013	32,00	500
4	14.823.013	34.823.013	44,00	500
5	15.823.013	35.823.013	55,00	500
6	16.823.013	36.823.013	67,00	100
7	17.823.013	37.823.013	78,00	70
8	18.823.013	38.823.013	90,00	50
9	19.823.013	39.823.013	101,00	50
10	20.823.013	40.823.013	113,00	50
11	21.823.013	41.823.013	124,00	50
12	22.823.013	42.823.013	135,00	50

General Information

Pitch	11,5 mm
No. of poles	1 - 12
Areas of application	For lighting and similar electrical appliances.

Technical Data

Clamping Range	<i>solid / flexible / AWG</i>		
<i>without wire protector</i>	1 - 10 mm ² / 1 - 6 mm ² / 16 - 10 AWG		
<i>with wire protector</i>	0,75 - 6 mm ² / 0,75 - 4 mm ² / 18 - 12 AWG		
Rated Cross Section	4 mm ²		
Wire Stripping Length	7 ± 0,5 mm		
Overvoltage Category	III	III	II
Pollution Severity Level	3	2	2
Rated Voltage	800 V	1000 V	1000 V
Rated Impulse Voltage	8 kV	8 kV	6 kV
Rated Insulation Voltage	750 V acc. to EN 60998-1		
Rated Current	32 A		
Torque	0,8 Nm		

Material

Moulding	PA, natural, V-2
Comparative Tracking Index	CTI ≥ 600
Insulating Group	I
Temperature Range	-40°C up to 80°C
Terminal Body	Tin plated brass
Screw	M3,5; zinc plated steel, blue passivated
Wire protector	Stainless steel strip

Approvals

	Current	Voltage	Group	AWG	Nm
	35	300	B	14 - 8	0,8
	10	300	D	14 - 8	0,8
	40	300	B,C	22 - 10	0,8 [1]
	5	600	D,E	22 - 10	0,8 [1]
	Current	Voltage	mm ²		
	32	750	4,0		

[1] for 324-FU-HDS does apply 26 - 10 AWG

Options / Accessories

- Special marking accord. drawing
- Screws made out of brass
- Crosshead screws
- Socket with blind holes
- Moulding made of special Polyamide for e.g. household appliances
- Jumper 324-J
- Marking strips BST-324