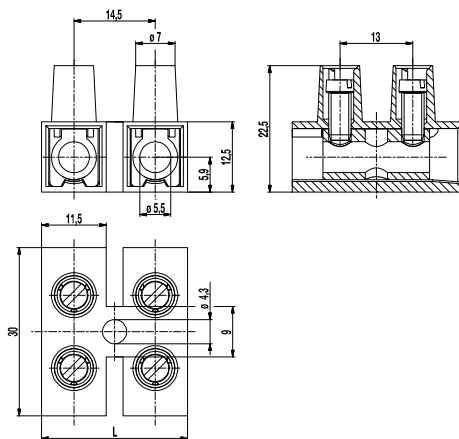


## Socket terminal strip

### 326(-HDS)

Screw connection



This type has a large clamping space and a creepage distance to the ground of more than 7 mm. Therefore the terminal strip can be used for up to 750 V.

#### Part Numbers

No. of poles	326	326-HDS	Length	Pcs
1	11.824.006.EN6	31.824.006.EN6	14,50	1000
2	12.824.006.EN6	32.824.006.EN6	29,00	500
3	13.824.006.EN6	33.824.006.EN6	43,50	400
4	14.824.006.EN6	34.824.006.EN6	58,00	250
5	15.824.006.EN6	35.824.006.EN6	72,50	200
6	16.824.006.EN6	36.824.006.EN6	87,00	200
7	17.824.006.EN6	37.824.006.EN6	101,50	160
8	18.824.006.EN6	38.824.006.EN6	116,00	160
9	19.824.006.EN6	39.824.006.EN6	130,50	130
10	20.824.006.EN6	40.824.006.EN6	145,00	100
11	21.824.006.EN6	41.824.006.EN6	159,50	100
12	22.824.006.EN6	42.824.006.EN6	171,00	100

#### General Information

Pitch	14,5 mm
No. of poles	1 - 12
Areas of application	For lighting and similar electrical appliances.

#### Technical Data

Clamping Range	<i>solid / flexible / AWG</i>		
<i>without wire protector</i>	2,5 - 16 mm <sup>2</sup> / 2,5 - 10 mm <sup>2</sup> / 14 - 8 AWG		
<i>with wire protector</i>	1,5 - 10 mm <sup>2</sup> / 1,5 - 6 mm <sup>2</sup> / 16 - 8 AWG		
Rated Cross Section	10 mm <sup>2</sup>		
Wire Stripping Length	9 mm ± 1 mm		
Overvoltage Category	III	III	II
Pollution Severity Level	3	2	2
Rated Voltage	500 V	630 V	1000 V
Rated Impulse Voltage	6 kV	6 kV	6 kV
Rated Insulation Voltage	750 V acc. to EN 60998-1		
Rated Current	57 A		
Torque	1,2 Nm		

#### Material

Moulding	PA, natural, V-0
Comparative Tracking Index	CTI ≥ 600
Insulating Group	I
Temperature Range	-40°C up to 80°C
Terminal Body	Nickel plated brass
Screw	M4; zinc plated steel, blue passivated
Wire protector	Stainless steel strip

#### Approvals

	Current	Voltage	Group	AWG	Nm
	50	300	B	14 - 8	1,13
	50	150	C	14 - 8	1,13
	10	300	D	14 - 8	1,13
	55	300	B	14 - 8	1,2
	55	150	C	14 - 8	1,2
	10	300	D,E	14 - 8	1,2
<hr/>					
	Current	Voltage	mm <sup>2</sup>		
	57	750	10		

#### Options / Accessories

- Marking options on and between the screw guides
- Marking strips BST-326
- Jumper 327-J