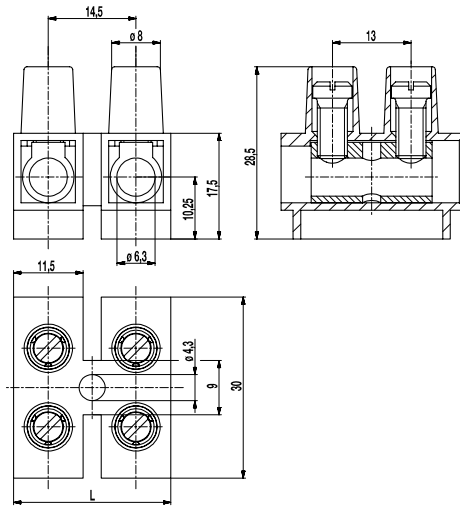


327-FU(-HDS)

Socket terminal strip
Screw connection, with raised base



The socket terminal strip 327-FU with raised base and a pitch of 14,5 mm is available in 1 to 12 pole design.

The raised base extends the creepage distance to the ground which allows 600 V in accordance with UL and CSA regulations without an additional insulating base.

One fixing hole is located between every two poles.
The flexible polyamide moulding can even be mounted on curved surfaces.

The wire protector of the "HDS"-version reliably prevents damage to multi-wire flexible conductors by the turning screw.

Part Numbers

| No. of poles | 327-FU | 327-FU-HDS | Length | PU |
|--------------|----------------|----------------|--------|------|
| 1 | 11.825.004.EN6 | 31.825.004.EN6 | 14,50 | 1000 |
| 2 | 12.825.004.EN6 | 32.825.004.EN6 | 29,00 | 500 |
| 3 | 13.825.004.EN6 | 33.825.004.EN6 | 43,50 | 250 |
| 4 | 14.825.004.EN6 | 34.825.004.EN6 | 58,00 | 250 |
| 5 | 15.825.004.EN6 | 35.825.004.EN6 | 72,50 | 200 |
| 6 | 16.825.004.EN6 | 36.825.004.EN6 | 87,00 | 100 |
| 7 | 17.825.004.EN6 | 37.825.004.EN6 | 101,50 | 100 |
| 8 | 18.825.004.EN6 | 38.825.004.EN6 | 116,00 | 160 |
| 9 | 19.825.004.EN6 | 39.825.004.EN6 | 130,50 | 70 |
| 10 | 20.825.004.EN6 | 40.825.004.EN6 | 145,00 | 100 |
| 11 | 21.825.004.EN6 | 41.825.004.EN6 | 159,50 | 100 |
| 12 | 22.825.004.EN6 | 42.825.004.EN6 | 171,00 | 50 |

General Information

| | |
|----------------------|---|
| Pitch | 14,5 mm |
| No. of poles | 1 - 12 |
| Areas of application | For lighting applications and similar electrical equipment. |




Technical Data

| | | | |
|-------------------------------|--|--------|--------|
| Clamping Range | <i>solid / flexible / AWG</i> | | |
| <i>without wire protector</i> | 4 - 16 mm ² / 4 - 16 mm ² / 12 - 4 AWG | | |
| <i>with wire protector</i> | 4 - 16 mm ² / 4 - 10 mm ² / 12 - 6 AWG | | |
| Rated Cross Section | 16 mm ² [1] | | |
| Wire Stripping Length | 9 mm ± 1 mm | | |
| Overvoltage Category | III | III | II |
| Pollution Severity Level | 3 | 2 | 2 |
| Rated Voltage | 1000 V | 1000 V | 1000 V |
| Rated Impulse Voltage | 8 kV | 8 kV | 6 kV |
| Rated Insulation Voltage | 750 V acc. to EN 60998-1 | | |
| Rated Current | 76 A | | |
| Torque | 2 Nm | | |

Material

| | |
|----------------------------|--|
| Moulding | PA, white, V-0 |
| Comparative Tracking Index | CTI ≥ 600 |
| Insulating Group | I |
| Temperature Range | -40°C up to 100°C |
| Terminal Body | Nickel plated brass |
| Screw | M5; zinc plated steel, blue passivated |
| Wire protector | Stainless steel strip |

Approvals

| | Current [A] | Voltage [V] | Group | AWG | [Nm] |
|---|-------------|-------------|--------------------|--------|------|
|  | 65 | 600 | B,C | 14 - 6 | 1,8 |
|  | 80 | 600 | B,C,D,E | 14 - 6 | 1,8 |
| | Current [A] | Voltage [V] | [mm ²] | | |
|  | 76 | 750 | 16 | | |

Options / Accessories

- Marking options on and between the screw guides
- Marking strips BST-327
- Jumper 327-J

[1] multi-wire