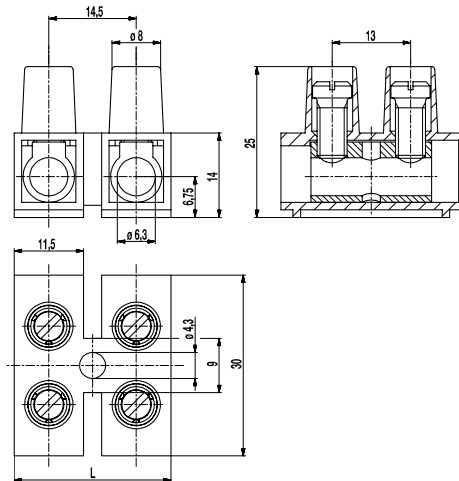
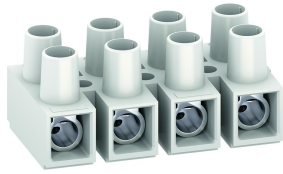


## 327(-HDS)

Socket terminal strip  
Screw connection



The socket terminal strip 327 is available in 14,5 mm pitch with 1- to 12-pole design and can be easily stripped to the desired number of poles. Due to the M5 screw, the socket hole diameter of 6,3 mm and a creepage distance of more than 9 mm between terminal body and mounting surface, this version is well suited for large cross-sections, high currents and voltages.

One fixing hole is located between every two poles.  
The flexible polyamide moulding can even be mounted on curved surfaces.

The wire protector of the "DS"-version reliably prevents damage to multi-wire flexible conductors by the turning screw.

### Part Numbers

No. of poles	327	327-HDS	Length	PU
1	11.825.001.EN6	31.825.001.EN6	14,50	1000
2	12.825.001.EN6	32.825.001.EN6	29,00	500
3	13.825.001.EN6	33.825.001.EN6	43,50	250
4	14.825.001.EN6	34.825.001.EN6	58,00	250
5	15.825.001.EN6	35.825.001.EN6	72,50	200
6	16.825.001.EN6	36.825.001.EN6	87,00	180
7	17.825.001.EN6	37.825.001.EN6	101,50	160
8	18.825.001.EN6	38.825.001.EN6	116,00	160
9	19.825.001.EN6	39.825.001.EN6	130,50	130
10	20.825.001.EN6	40.825.001.EN6	145,00	100
11	21.825.001.EN6	41.825.001.EN6	159,50	100
12	22.825.001.EN6	42.825.001.EN6	171,00	90

### General Information

Pitch	14,5 mm
No. of poles	1 - 12
Areas of application	For lighting applications and similar electrical equipment.




### Technical Data

Clamping Range	<i>solid / flexible / AWG</i>		
<i>without wire protector</i>	4 - 16 mm <sup>2</sup> / 4 - 16 mm <sup>2</sup> / 12 - 4 AWG		
<i>with wire protector</i>	4 - 16 mm <sup>2</sup> / 4 - 10 mm <sup>2</sup> / 12 - 6 AWG		
Rated Cross Section	16 mm <sup>2</sup> [1]		
Wire Stripping Length	9 mm ± 1 mm		
Overvoltage Category	III	III	II
Pollution Severity Level	3	2	2
Rated Voltage	500 V	630 V	1000 V
Rated Impulse Voltage	6 kV	6 kV	6 kV
Rated Insulation Voltage	750 V acc. to EN 60998-1		
Rated Current	76 A		
Torque	2 Nm		

### Material

Moulding	PA, white, V-0
Comparative Tracking Index	CTI ≥ 600
Insulating Group	I
Temperature Range	-40°C up to 100°C
Terminal Body	Nickel plated brass
Screw	M5; zinc plated steel, blue passivated
Wire protector	Stainless steel strip

### Approvals

	Current [A]	Voltage [V]	Group	AWG	[Nm]
	80	300	B,C	14 - 4	1,8 [2]
	80	300	B	14 - 6	1,8
	80	150	C	14 - 6	1,8
	10	300	D,E	14 - 6	1,8
	Current [A]	Voltage [V]	[mm <sup>2</sup> ]		
	76	750	16		

### Options / Accessories

- Marking options on and between the screw guides
- Marking strips BST-327
- Jumper 327-J
- Version with raised base: please see 327-FU

[1] multi-wire

[2] for 327-HDS 14 - 6 AWG, 65 A