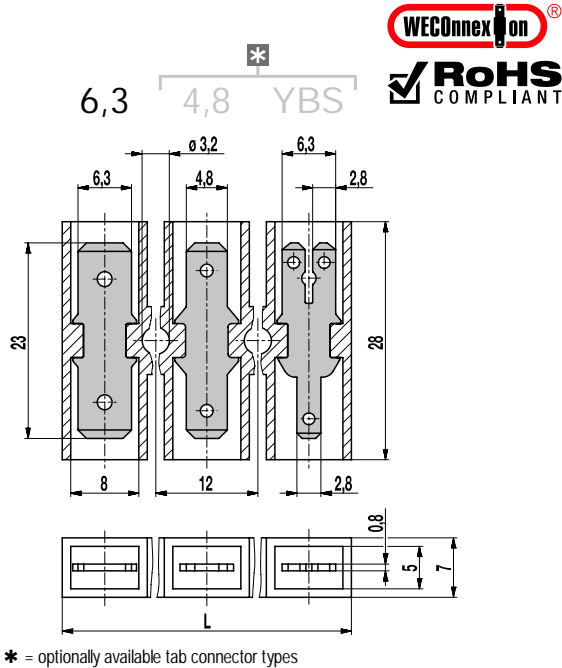


## 401-PVC-6,3

Tab connector block  
Material: PVC



The standard version of tab connector block 401-PVC comes with tab width 6,3 mm and is available in 1- to 12-pole design. It is used mainly as connector, lead distributor or as electrical interface in equipment and motor vehicles.

Optionally, they are available in tab width 4,8 mm and as "-YBS"-version, i.e. with one single connection on the one side and a double connection 2 x 2,8 mm or 1 x 6,3 mm on the opposite side.

Crimped points can be insulated with our ISO insulation sleeves.

These tab connectors are suitable for tab receptacles according to DIN 46247.

### Part Numbers

No. of poles	401-PVC-6,3	Length	A *	PU
1	31.830.002	12,00		2500
2	32.830.002	24,00		1500
3	33.830.002	36,00	12,00	1000
4	34.830.002	48,00	24,00	1000
5	35.830.002	59,00	36,00	200
6	36.830.002	71,00	48,00	200
7	37.830.002	83,00	60,00	50
8	38.830.002	95,00	72,00	50
9	39.830.002	107,00	84,00	25
10	40.830.002	119,00	96,00	100
11	41.830.002	131,00	108,00	100
12	42.830.002	142,00	120,00	100

\* = Distance of the two outermost mounting holes

### General Information

Pitch	12 mm
No. of poles	1 - 12
Additional Information	After pushing on the tab receptacles, their ends protrude 7 mm from the housing.


### Technical Data

Overvoltage Category	III	III	II
Pollution Severity Level	3	2	2
Rated Voltage	500 V	630 V	1000 V
Rated Impulse Voltage	6 kV	6 kV	6 kV
Rated Insulation Voltage	750 V acc. to EN 60998-1		
Rated Current	7,5 A: with receptacle 2,8; wire 1 mm <sup>2</sup> (16 AWG) 15 A: with receptacle 4,8; wire 2,5 mm <sup>2</sup> (14 AWG) 20 A: with receptacle 6,3; wire 6,0 mm <sup>2</sup> (10 AWG)		
Other specifications	Rated values apply to use in combination with insulated substrates.		

### Material

Moulding	Soft PVC, transparent, V-2
Comparative Tracking Index	CTI 400
Insulating Group	II
Temperature Range	-10°C up to 70°C
Tab	Nickel plated brass

### Approvals

	Current [A]	Voltage [V]	Group	AWG	[Nm]
	25	300	B	max. 10	

### Options / Accessories

- Consecutive numbering
- Special marking according to drawing
- Flat connector type -4,8
- Flat connector type -YBS
- Other tab connector variants available upon request, e.g. for the transition from 4.8 to 6.3