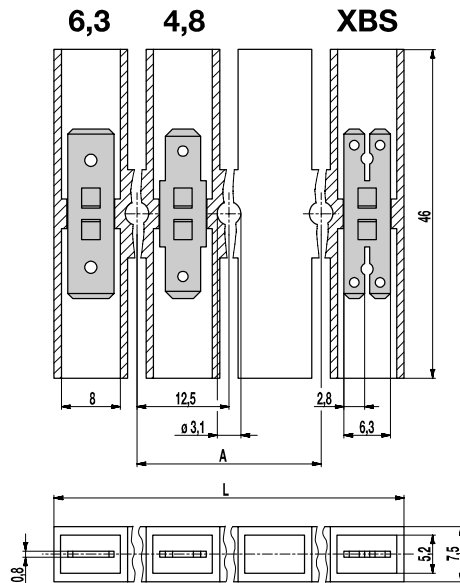
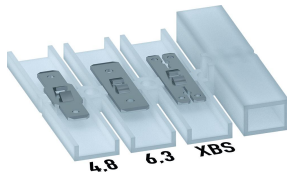


408-46-4,8/-6,3 /-XBS

Tab connector block
Housing width 46 mm



Tab connector blocks 408-46 with double connectors on both sides are used mainly as connectors, lead distributors or as electrical interface in equipment and motor vehicles. Depending on the application, these connector blocks with a housing width of 46 mm are available for 4,8; 6,3 or XBS-tabs in 1- to 12-pole design.

These tab connectors are suitable for tab receptacles according to DIN 46247. The housing variant requires 2,8 tab receptacles for the insulation of crimp points.

Part Numbers

No. of poles	408-46-4,8	408-46-6,3	408-46-XBS	Length	A *	PU
1	40.830.221	30.830.221	20.830.221	10,00		2000
2	40.830.222	30.830.222	20.830.222	22,50		1000
3	40.830.223	30.830.223	20.830.223	35,00	12,50	700
4	40.830.224	30.830.224	20.830.224	47,50	25,00	200
5	40.830.225	30.830.225	20.830.225	60,00	37,50	100
6	40.830.226	30.830.226	20.830.226	72,50	50,00	100
7	40.830.227	30.830.227	20.830.227	85,00	62,50	100
8	40.830.228	30.830.228	20.830.228	97,50	75,00	100
9	40.830.229	30.830.229	20.830.229	110,00	87,50	70
10	40.830.230	30.830.230	20.830.230	122,50	100,00	70
11	40.830.231	30.830.231	20.830.231	135,00	112,50	70
12	40.830.232	30.830.232	20.830.232	147,50	125,00	60

* = Distance of the two outermost mounting holes

General Information

Pitch	12,5 mm
No. of poles	1 - 12



Technical Data

Overvoltage Category	III	III	II
Pollution Severity Level	3	2	2
Rated Voltage	320 V	320 V	630 V
Rated Impulse Voltage	4 kV	4 kV	4 kV
Rated Insulation Voltage	450 V acc. to EN 60998-1		
Rated Current	7,5 A: with receptacle 2,8; wire 1 mm ² (16 AWG) 15 A: with receptacle 4,8; wire 2,5 mm ² (14 AWG) 20 A: with receptacle 6,3; wire 6,0 mm ² (10 AWG)		
Other specifications	Rated values apply to use without insulated substrates.		

Material

Moulding	PA, natural, V-2
Comparative Tracking Index	CTI ≥ 600
Insulating Group	I
Temperature Range	-40°C up to 100°C
Tab	Nickel plated brass

Approvals

	Current [A]	Voltage [V]	Group	AWG	[Nm]
	25	600	B,C	max. 10	[1]
	15	600	B,C	max. 14	[2]
	6	600	B,C	max. 16	[3]
	25	600	B,C	max. 10	[1]

[1] only applicable when used with 6,3 tab receptacles

[2] only applicable when used with 4,8 tab receptacles

[3] only applicable when used with 2,8 tab receptacles

Options / Accessories

- Consecutive numbering
- Special marking according to drawing